

PS108

artos®

Round Thermostatic Shower Trim Kit with Wall Mount Shower Head, Ceiling Mount Shower Head, Hand Held Shower

OPERATING SPECIFICATIONS



OPERATING PRESSURE

Minimum: 15 psi

Maximum: 125 psi

Above 90psi it may be necessary to install a pressure reducer

OPERATING TEMPERATURE

Maximum: 176°

FLOW CAPACITY

Shower Head: 1.8 USGPM

Handshower: 1.8 USGPM

STANDARDS

ASSE 1016-2011

ASME_A112.1016-2011

CSA B125:16-11



PS108

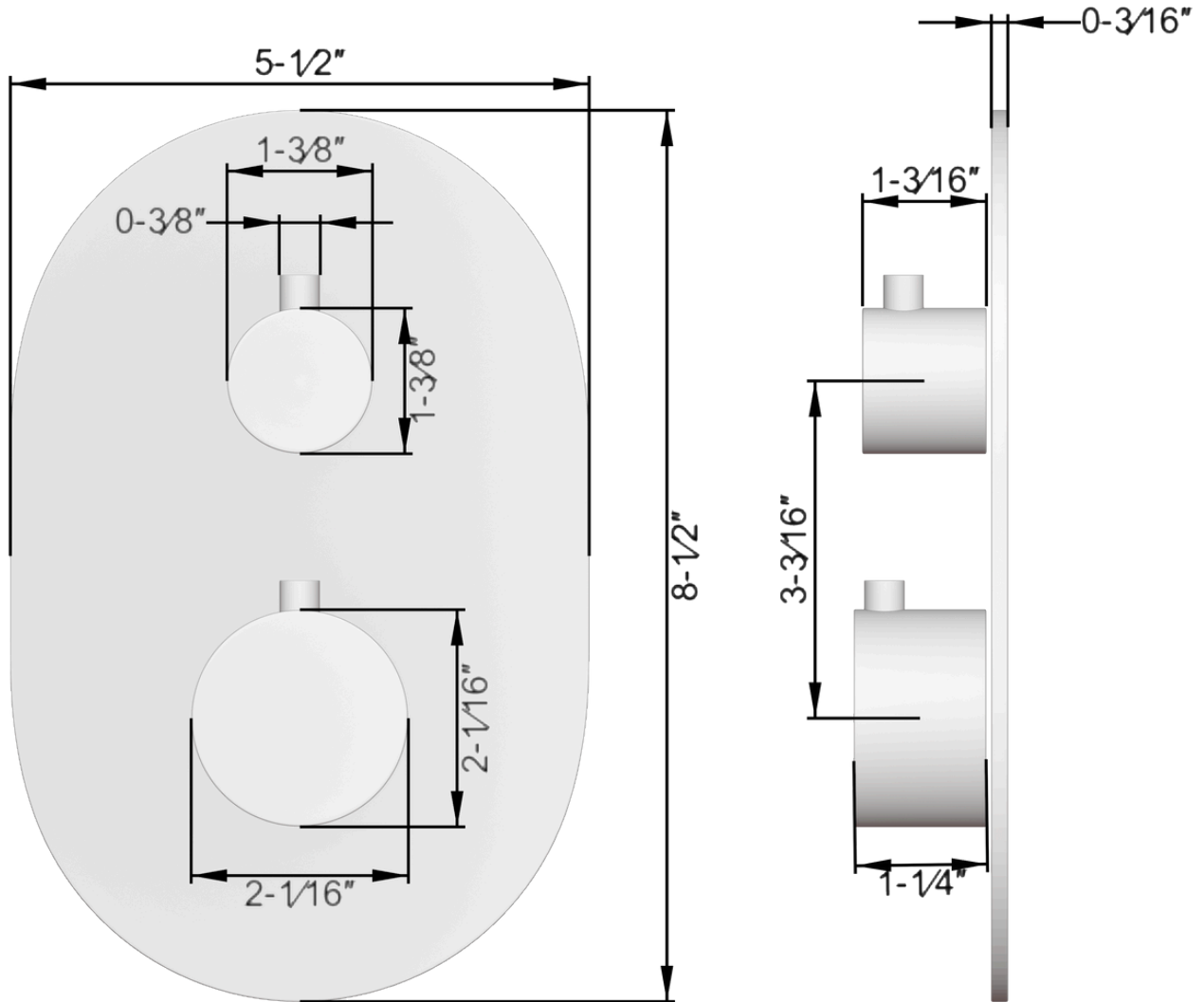
artos®

Round Thermostatic Shower Trim Kit with Wall Mount Shower Head, Ceiling Mount Shower Head, Hand Held Shower

PRODUCT DIMENSIONS

PRODUCT SKU

F903B-58TK



PS108

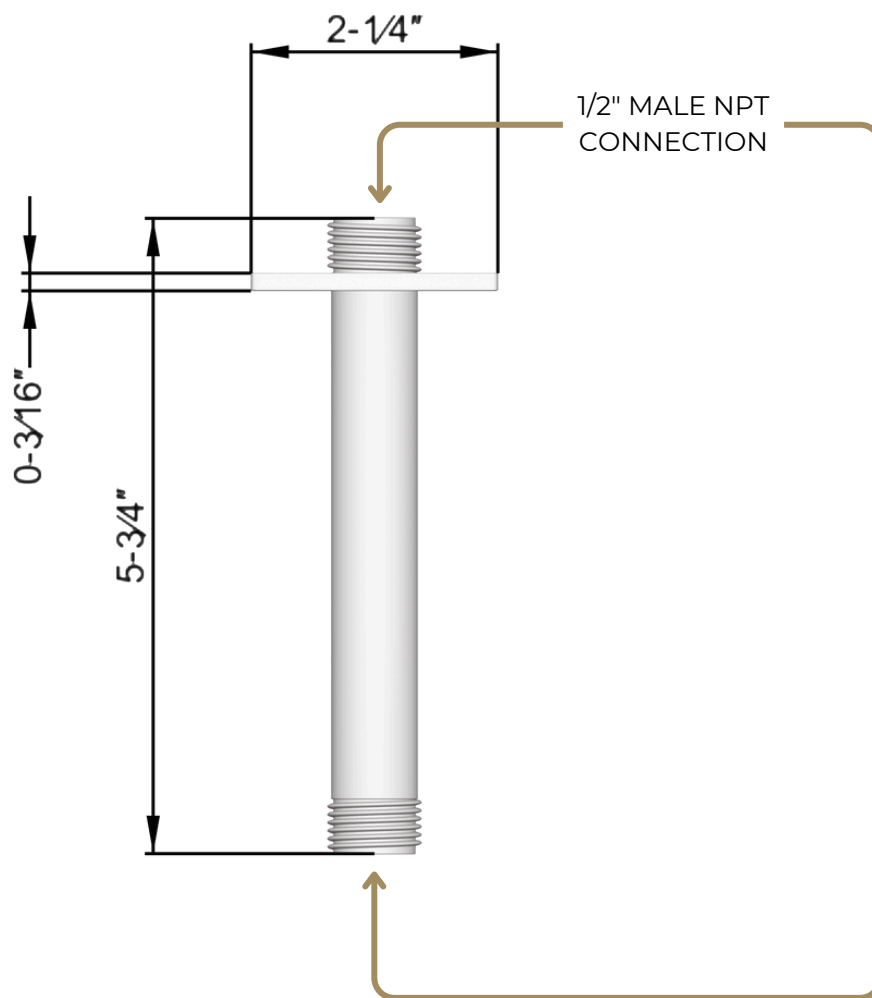
artos®

Round Thermostatic Shower Trim Kit with Wall Mount Shower Head, Ceiling Mount Shower Head, Hand Held Shower

PRODUCT DIMENSIONS

PRODUCT SKU

F902-3



PS108

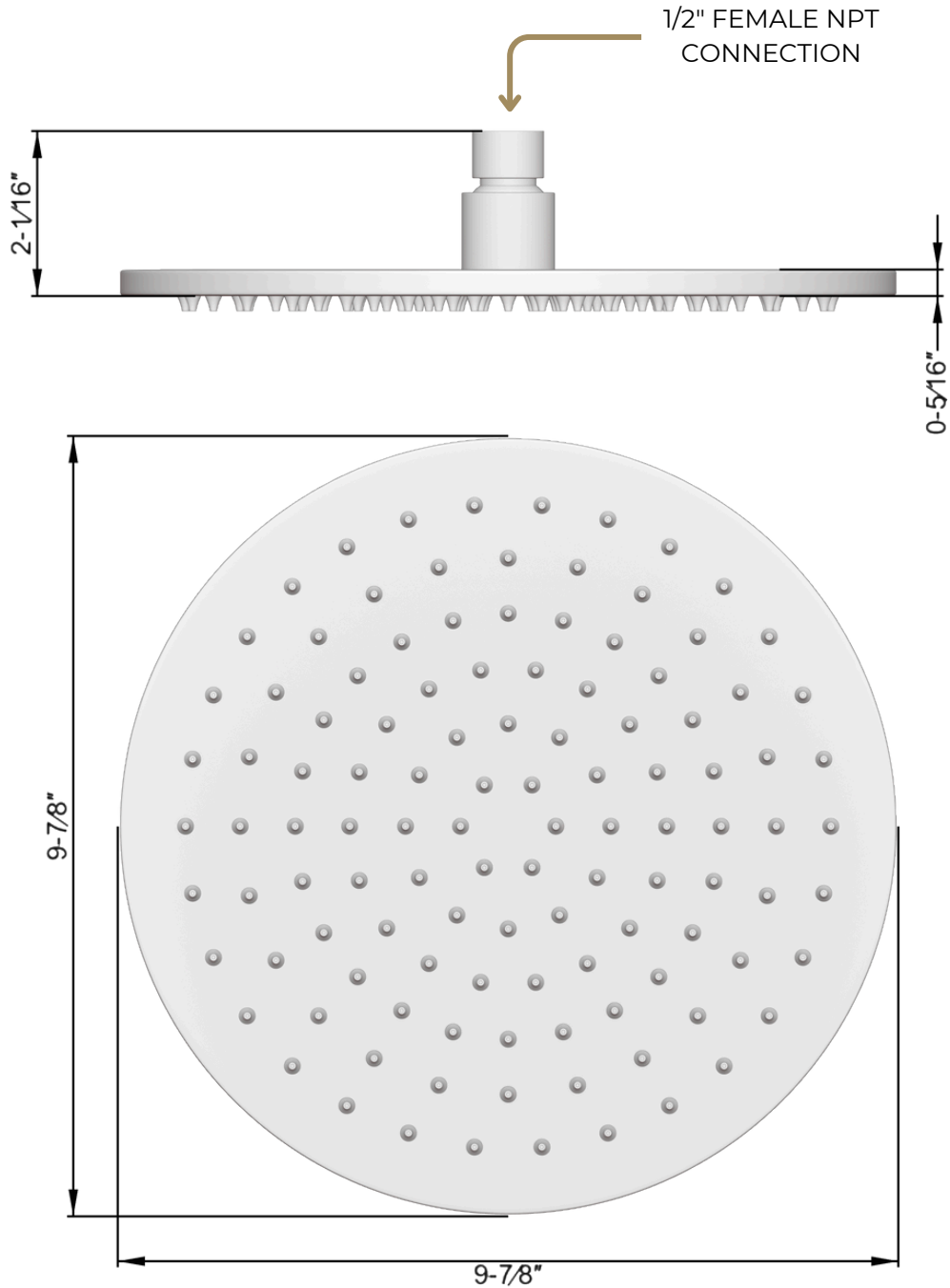
artos®

Round Thermostatic Shower Trim Kit with Wall Mount Shower Head, Ceiling Mount Shower Head, Hand Held Shower

PRODUCT DIMENSIONS

PRODUCT SKU

F901-8



PS108

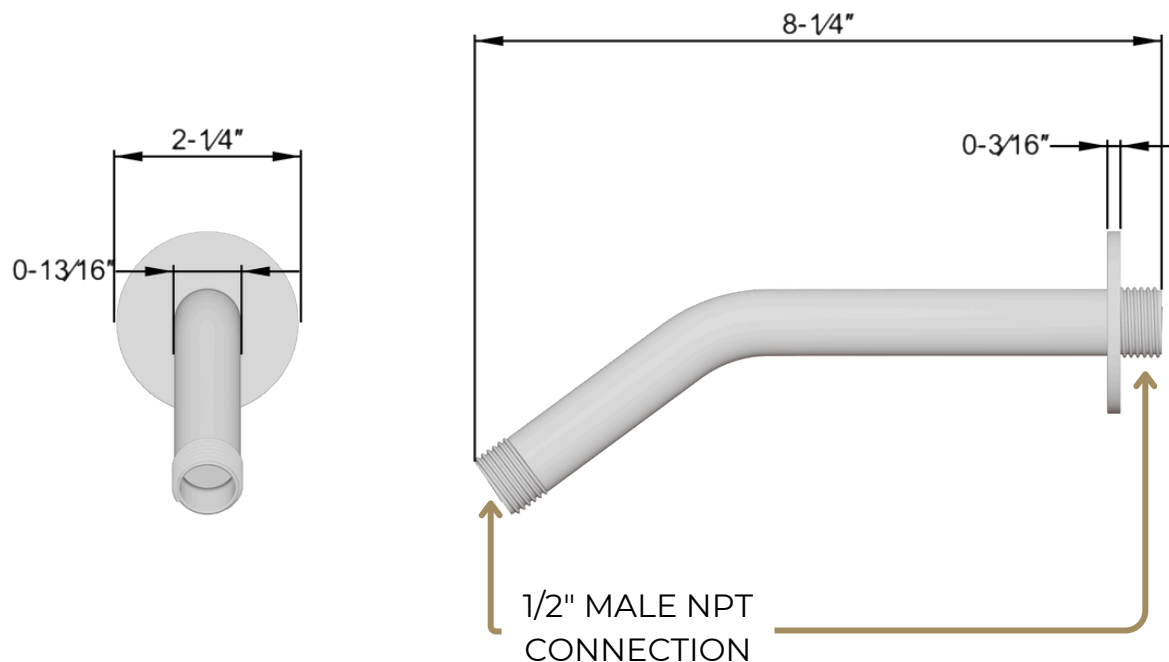
artos®

Round Thermostatic Shower Trim Kit with Wall Mount Shower Head, Ceiling Mount Shower Head, Hand Held Shower

PRODUCT DIMENSIONS

PRODUCT SKU

F902-11



PS108

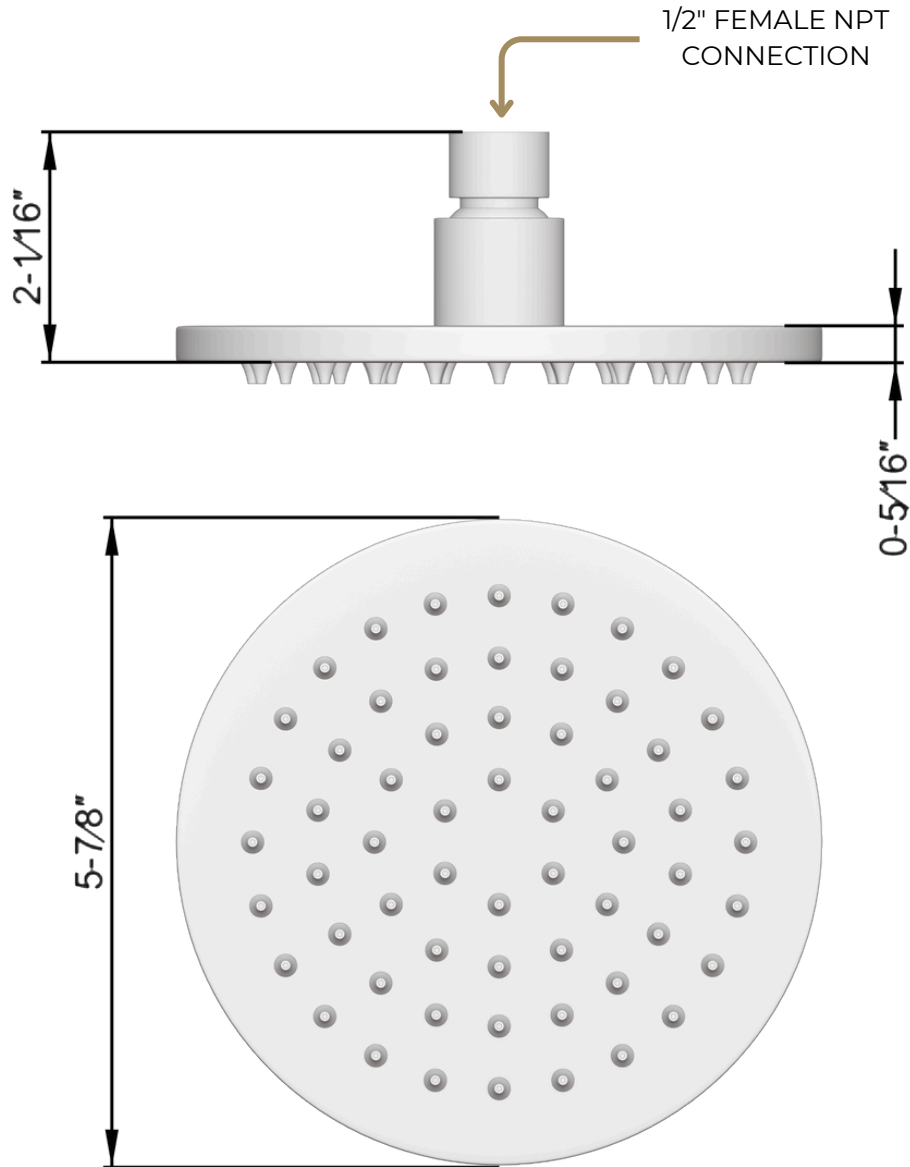
artos®

Round Thermostatic Shower Trim Kit with Wall Mount Shower Head, Ceiling Mount Shower Head, Hand Held Shower

PRODUCT DIMENSIONS

PRODUCT SKU

F901-18



PS108

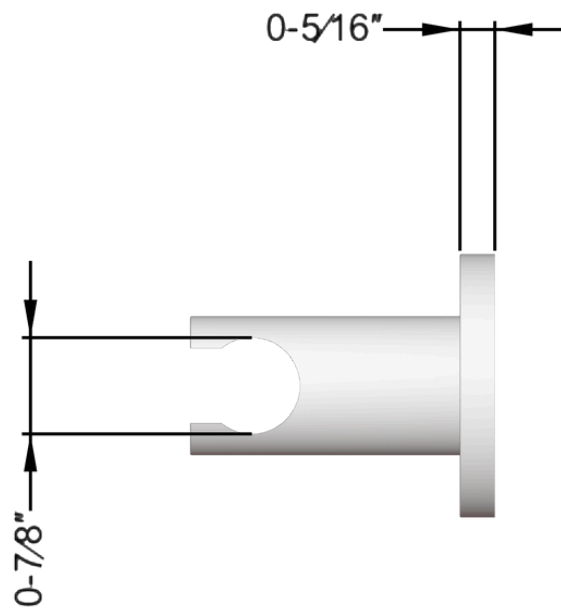
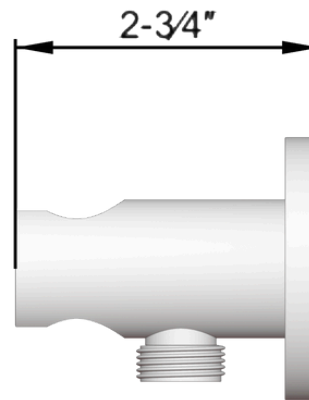
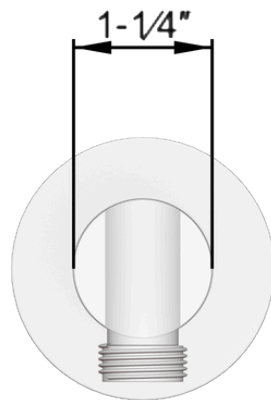
artos®

Round Thermostatic Shower Trim Kit with Wall Mount Shower Head, Ceiling Mount Shower Head, Hand Held Shower

PRODUCT DIMENSIONS

PRODUCT SKU

F902-42



PS108

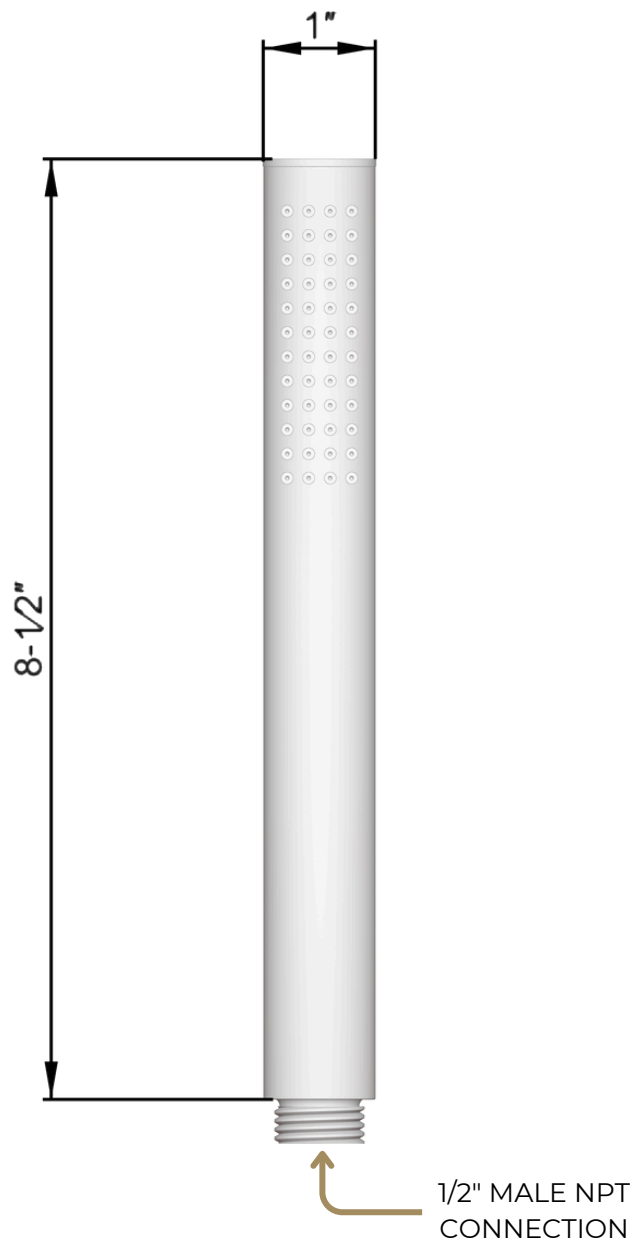
artos®

Round Thermostatic Shower Trim Kit with Wall Mount Shower Head, Ceiling Mount Shower Head, Hand Held Shower

PRODUCT DIMENSIONS

PRODUCT SKU

F901-3



PS108

artos®

Round Thermostatic Shower Trim Kit with Wall Mount Shower Head, Ceiling Mount Shower Head, Hand Held Shower

PRODUCT DIMENSIONS

PRODUCT SKU

F902-8



METAL SHOWER HOSE

1/2" FEMALE NPT CONNECTIONS
60" IN LENGTH