

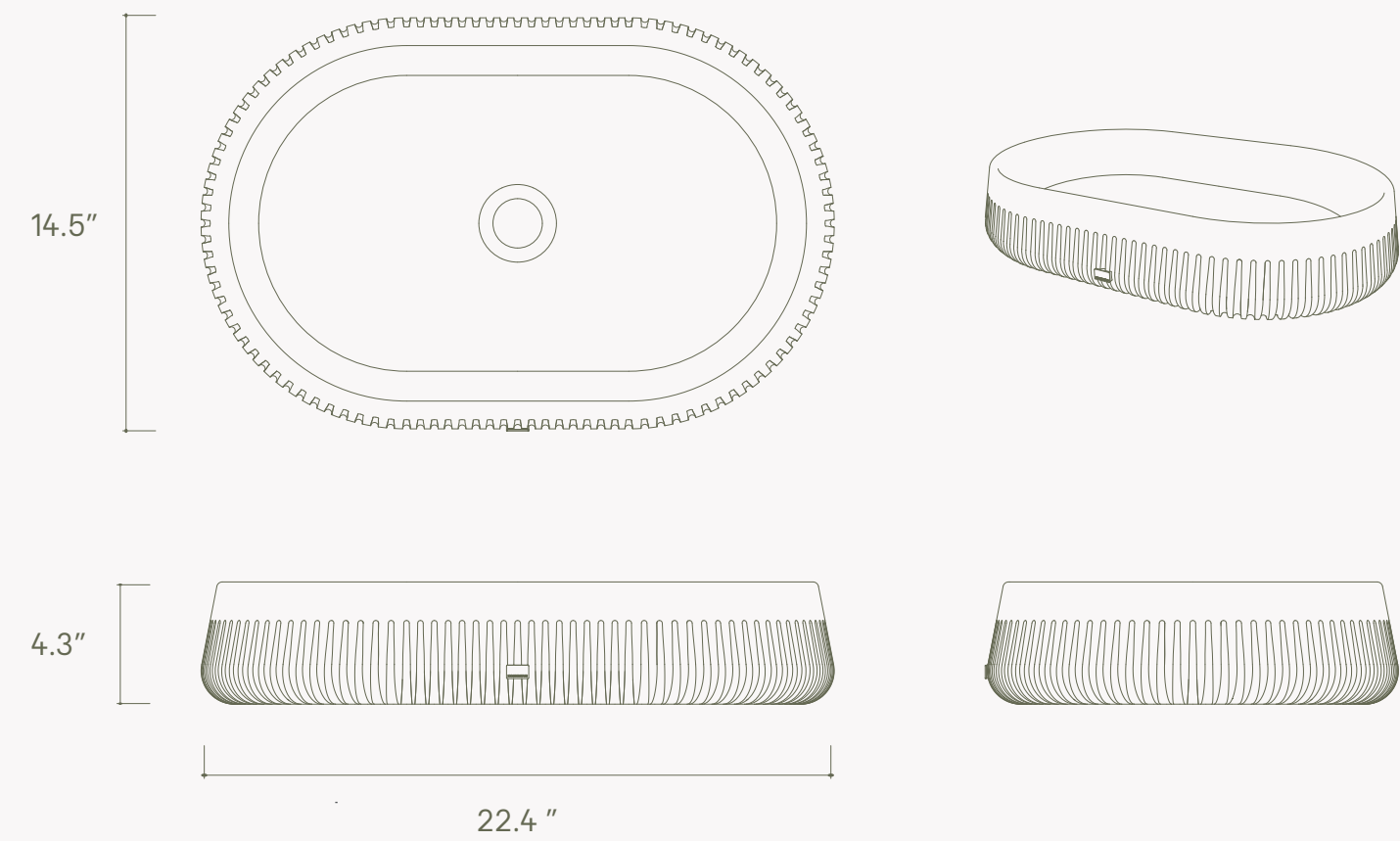


Konkretus.com

# Papua 02

Product Data Sheet

**KONKRETUS**



**Scale 1:5**

Note:  
Illustrative images, may vary from the real product.

**Dimensions**  
Dimensiones

**Height** 4.3 Inches - 11 Cm  
**Altura** 4.3 Pulgadas - 11 Cm

**Width** 22.4 Inches - 57 Cm  
**Ancho** 22.4 Pulgadas - 57 Cm

**Depth** 14.5 Inches - 37 Cm  
**Profundidad** 14.5 Pulgadas - 37 Cm

**Weight**  
Peso

46.3 Pounds - 21 Kg  
46.3 Libras - 21 Kg

**Material**  
Material

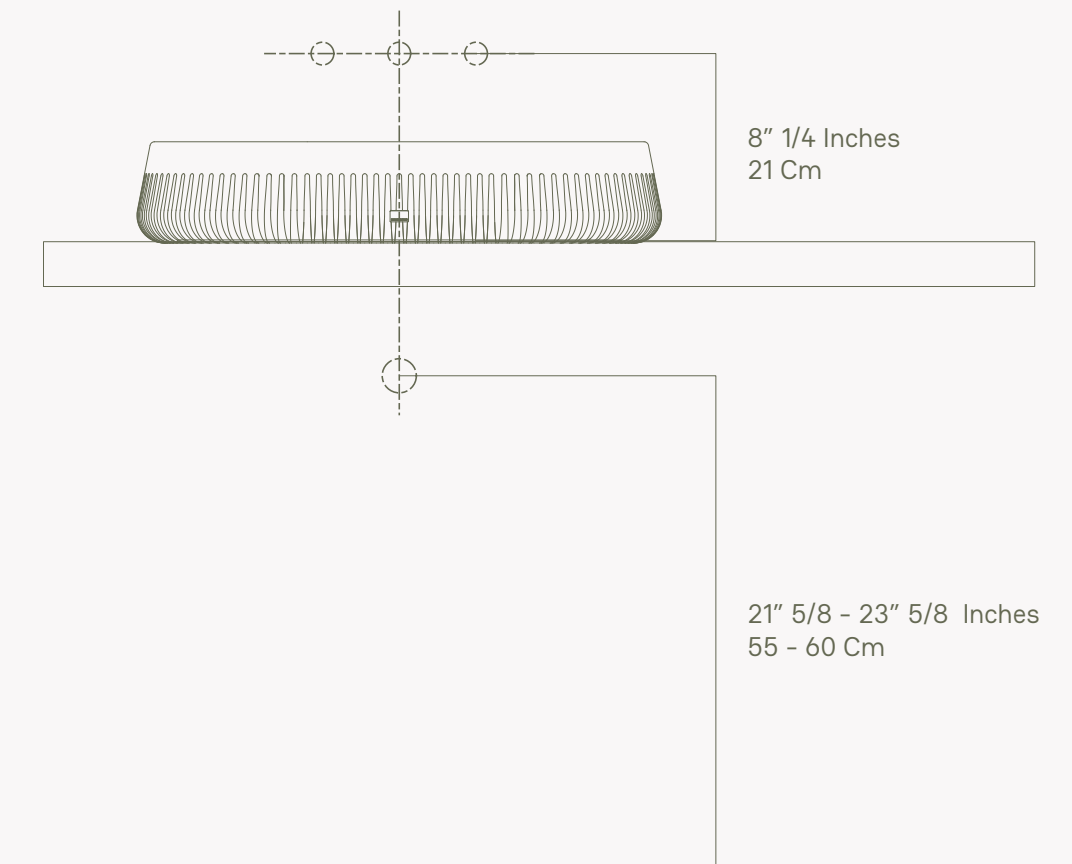
Concrete  
Concreto

Note:  
These are approximate and may vary.

**Installation Notes**

Notas de Instalación

Recommended height for wall mounted taps  
Altura recomendada para grifería de pared



**Recommended perforations for drain and countertop tap.**

Perforaciones recomendadas para el desague y la grifería de mesón.

Note:  
These are recommended and may vary, verify before intallate.

