

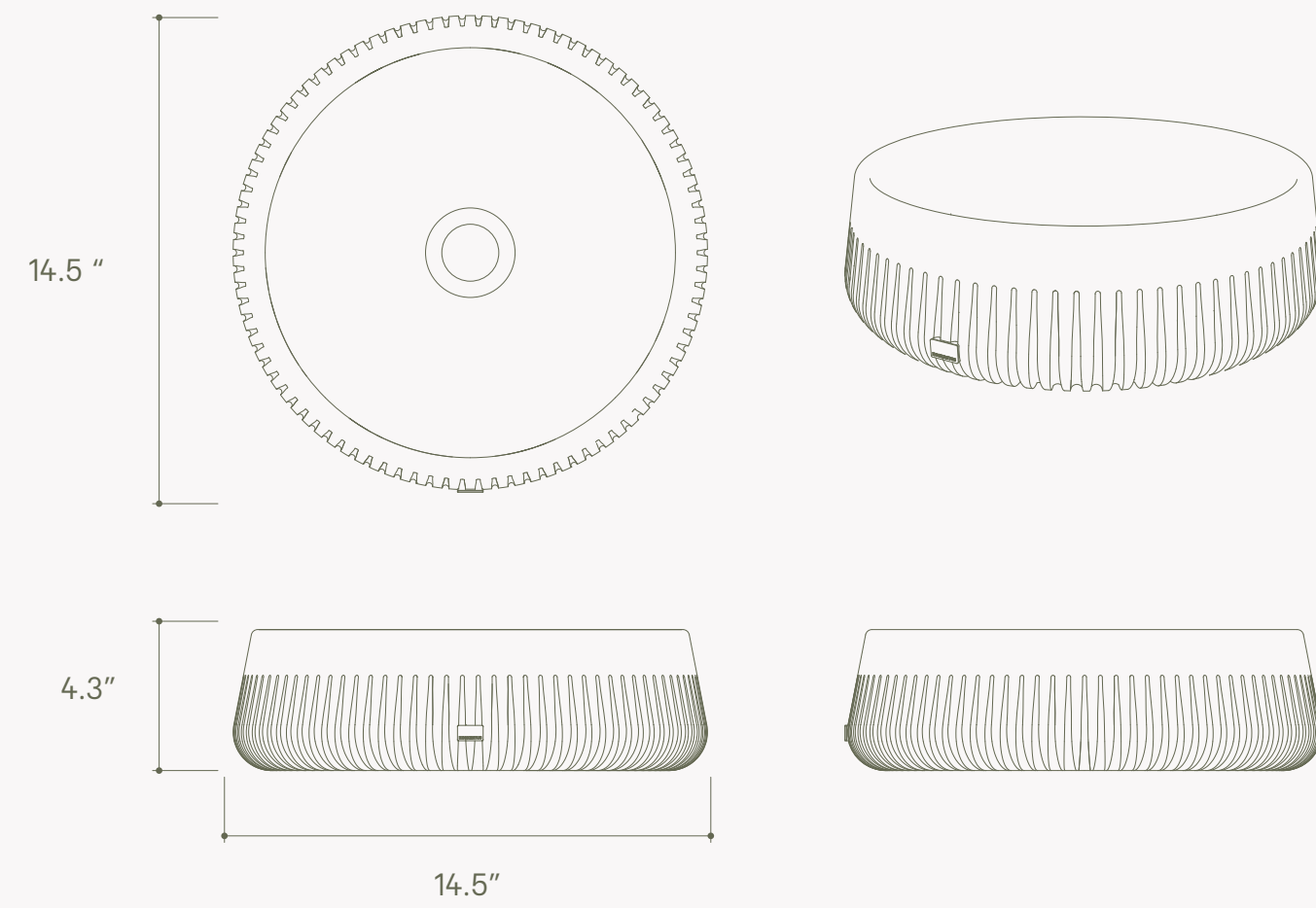


Konkretus.com

Papua 01

Product Data Sheet

KONKRETUS



Scale 1:5

Note:
Illustrative images, may vary from the real product.

Dimensions
Dimensiones

Height 4" 1/4 Inches - 11 Cm
Altura 4" 1/4 Pulgadas - 11 Cm

Width 14" 1/2 Inches - 37 Cm
Ancho 14" 1/2 Pulgadas - 37 Cm

Depth 14" 1/2 Inches - 37 Cm
Profundidad 14" 1/2 Pulgadas - 37 Cm

Weight
Peso

26.5 Pounds - 12 Kg
26.5 Libras - 12 Kg

Material
Material

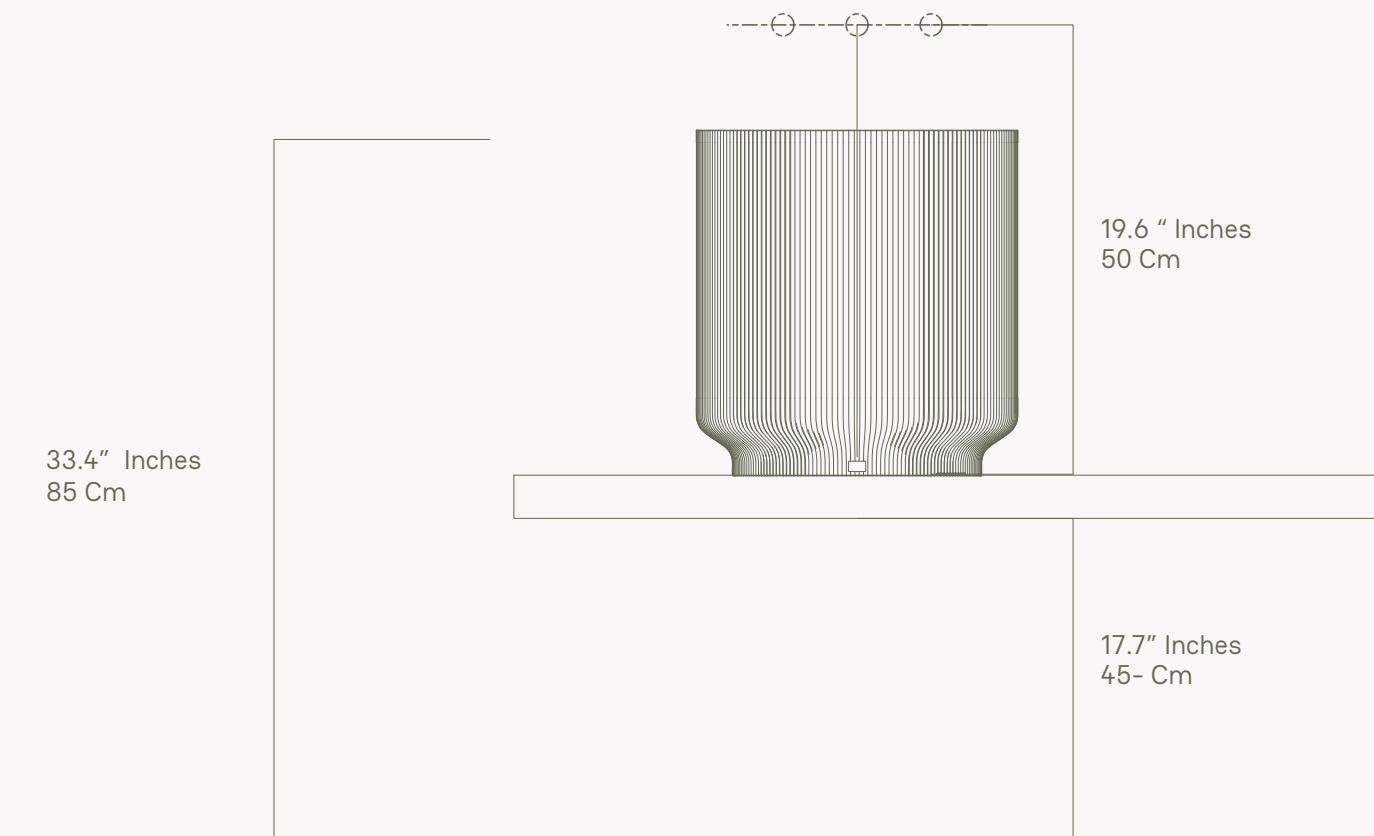
Concrete
Concreto

Note:
These are approximate and may vary.

Installation Notes

Notas de Instalación

Recommended height for wall mounted taps
Altura recomendada para grifería de pared



Recommended perforations for drain and countertop tap.

Perforaciones recomendadas para el desague y la grifería de mesón.

Note:
These are recommended and may vary, verify before intallate.

