

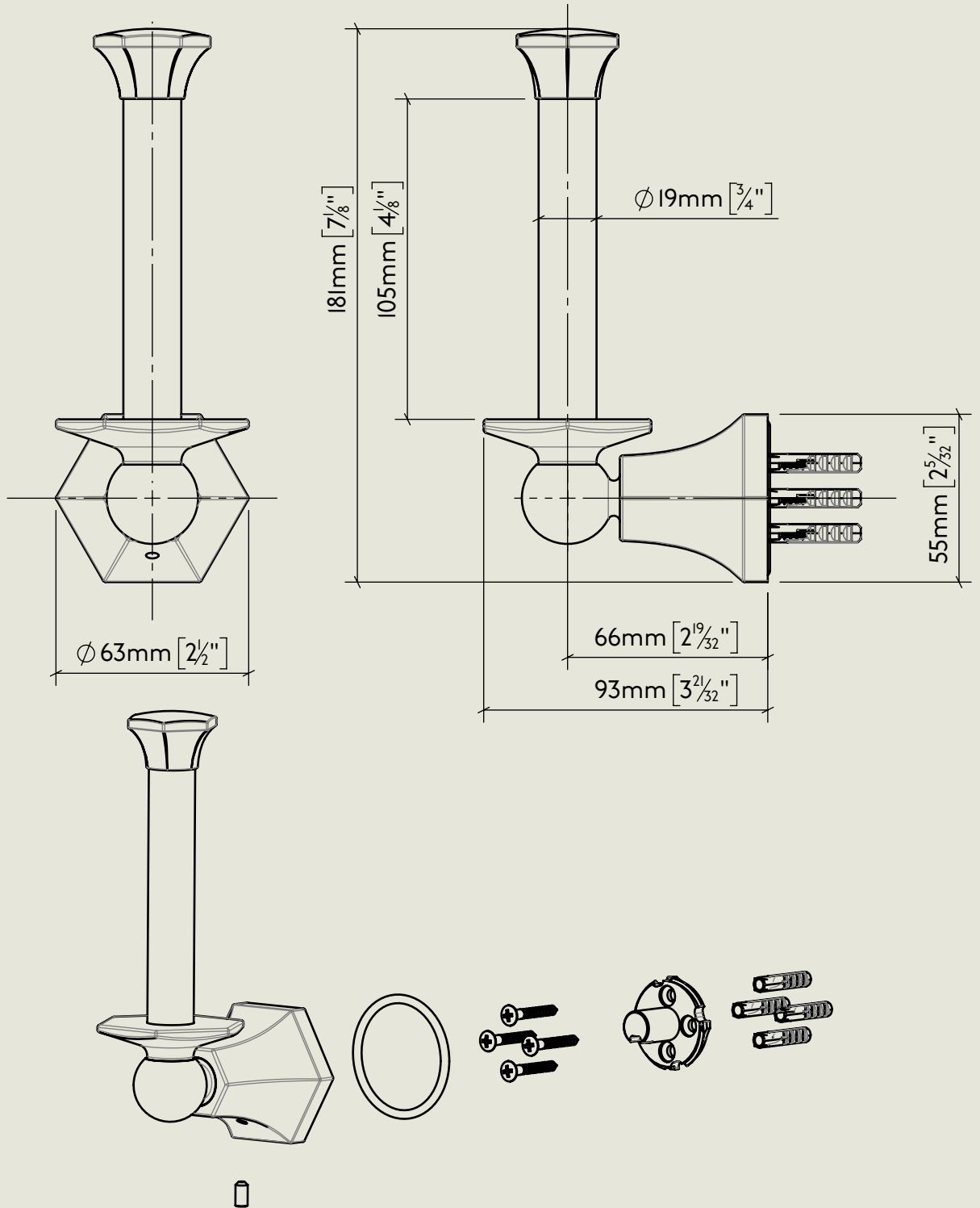


BY APPOINTMENT TO
HIS MAJESTY KING CHARLES III
MANUFACTURE OF KITCHEN & BATHROOM TAPS & MIXERS
BARBER WILSONS & CO. LTD
LONDON

LONDON

BARBER WILSONS & CO

EST. 1905



Model No.

MC801

Description

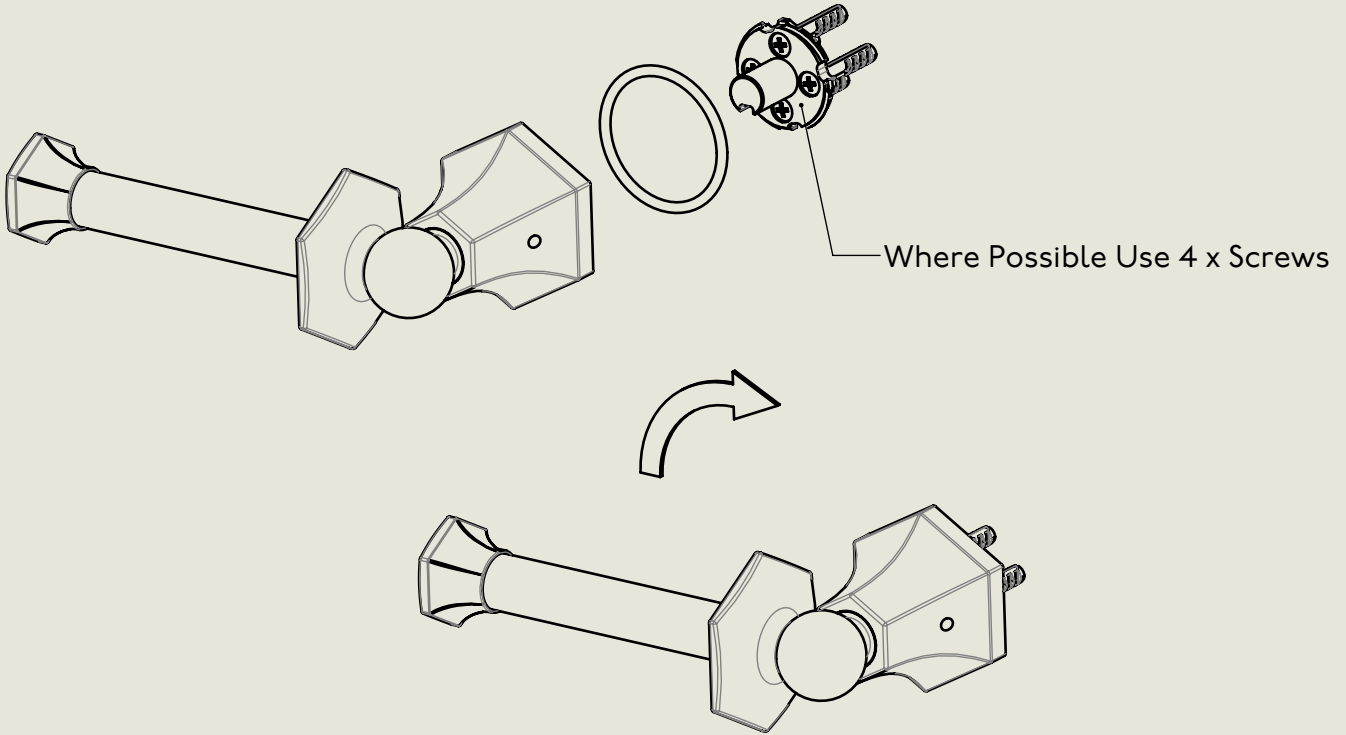
Mastercraft Accessory Toilet Roll Reserve

Complete

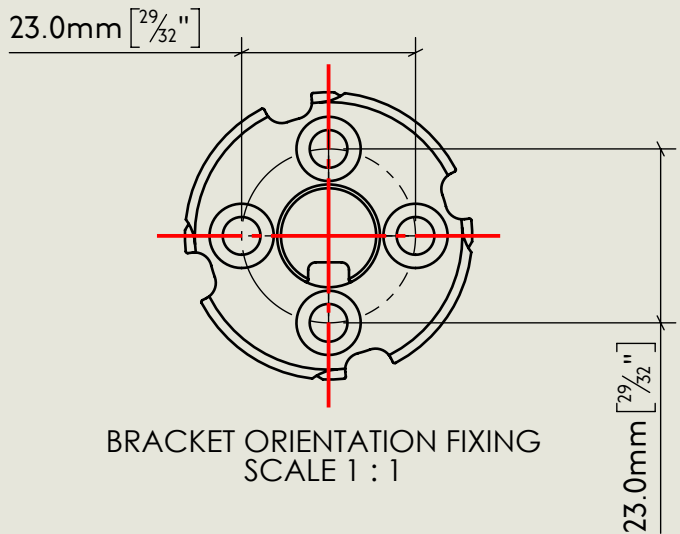


BY APPOINTMENT TO
HIS MAJESTY KING CHARLES III
MANUFACTURE OF KITCHEN & BATHROOM TAPS & MIXERS
BARBER WILSONS & CO. LTD
LONDON

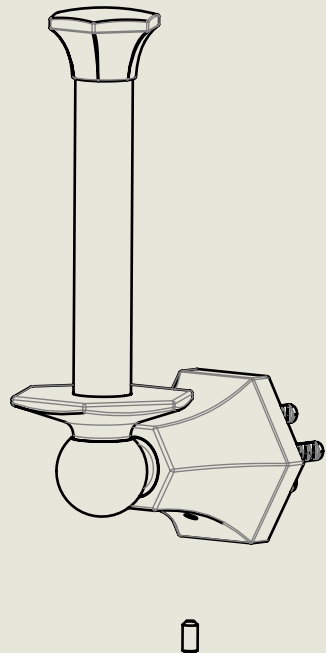
LONDON **BARBER WILSONS & CO** EST. 1905



CRUCIAL TO USE LASERLINE
FOR VERTICAL HOLE ALIGNMENT
DURING INSTALLATION
FOR PERFECT PRODUCT ORIENTATION



BRACKET ORIENTATION FIXING
SCALE 1 : 1



| Model No. | Description | |
|-----------|---|---------|
| MC801 | Mastercraft Accessory Toilet Roll Reserve | Fitting |