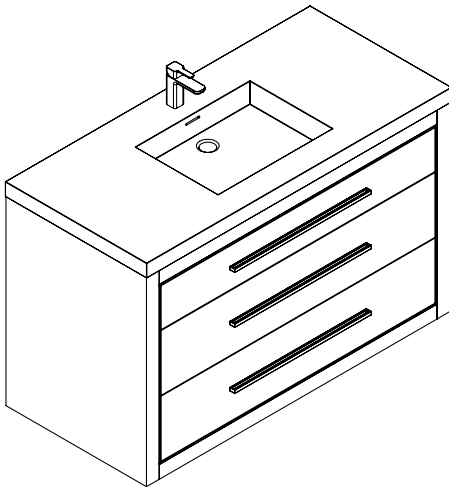


### Specifications and Installation Guide

#### B850-Villa Wall Hung Vanity Collection

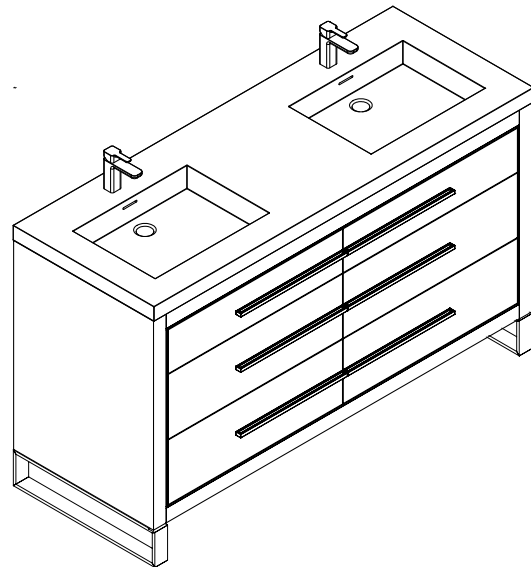
Models

- B850-24-002-XX
- B850-30-002-XX
- B850-36-002-XX
- B850-42-002-XX
- B850-48C-002-XX
- B850-48D-002-XX
- B850-60C-002-XX
- B850-60D-002-XX
- B850-72D-002-XX



#### B860-Estate Free Standing Vanity Collection

- B860-24-001-XX
- B860-30-001-XX
- B860-36-001-XX
- B860-42-001-XX
- B860-48C-001-XX
- B860-48D-001-XX
- B860-60C-001-XX
- B860-60D-001-XX
- B860-72D-001-XX



### Table of Contents

	Page / Page
Specifications 24/30/36/42/48C.....	2
Specifications 48D.....	3
Specifications 60C.....	4
Specifications 60D/72D.....	5
Typical Installation: <b>Wall Hung</b> /B850-Villa.....	6
Installation Steps: <b>Wall Hung</b> /B850-Villa.....	7-8
Feet/Base Installation: <b>Free Standing</b> /B860-Estate.....	9
Typical Installation: <b>Free Standing</b> /B860-Estate.....	10

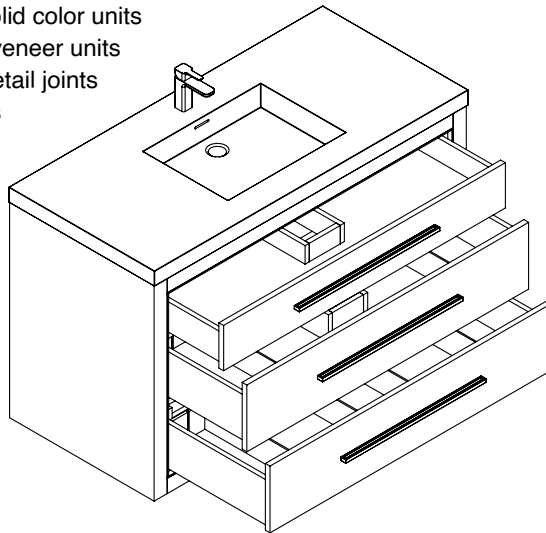
For clarification, please contact Madeli Customer Care at (800) 819-6988 Ext.1 or [service@madeli.com](mailto:service@madeli.com)  
 Pour plus de précisions, veuillez contacter le service client Madeli au (800) 819-6988 Ext.1 ou [service@madeli.com](mailto:service@madeli.com)

## Villa/Estate - 24"/30"/36"/42"/48" - Single Bowl

## Cabinet Specifications

### Features

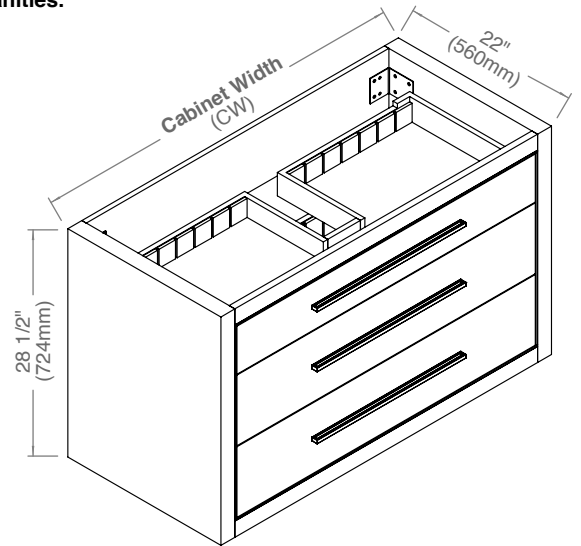
- Villa-Wall hung vanity or Estate-Free Standing Vanity
- Bathroom Furniture grade plywood layered with solid wood veneer protected by polyurethane or finished with premium polyurethane solid color paints
- Matching finish inside out
- Three fully adjustable drawers with full-extension soft-close European hardware.
- Middle and Bottom drawers include adjustable tempered glass dividers
- Handle/Inlay/Feet finish options: polished chrome (PC), brushed nickel (BN), polished nickel (PN), matte black (MB) and satin brass (SB)
- Cabinet furnished assembled.
- **Drawer Boxes:**
  - Matching color for solid color units
  - Light grey for wood veneer units
  - Solid wood with dovetail joints for natural color units



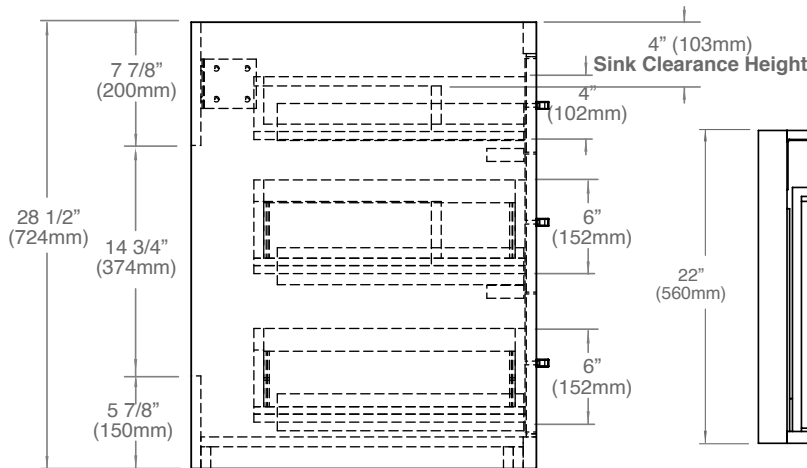
### Top/Basin options

- Glass countertop with above-counter ceramic basin.
- Glossy White X-Stone 2"H top/basin
- Glossy White X-Stone 4-1/2" H Trough sink
- X-Stone 3/4"H countertop no holes. To be field drilled.
- X-Stone 3/4"H countertop with above-counter ceramic basin
- Quartzstone 3"H countertop with undermount ceramic basin

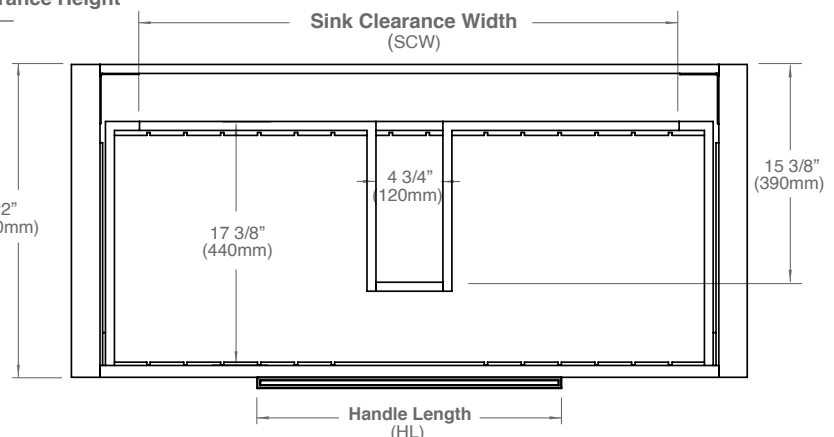
**NOTE: All 3/4" countertops with undermount sinks including Madeli's Quartzstone QST2208 collection and CB-2015 cannot be used on the Villa-B850 & Estate-B860 vanities.**



### SIDE VIEW



### TOP VIEW



MODEL	CW	SCW	HL	Package Dimensions	Weight
B850/B860-24-00X-XX	23 5/8" (600mm)	14" (356mm)	10 5/8" (270mm)	28"(711) x 26"(660) x 33"(838)	110 lbs / 50 Kgs
B850/B860-30-00X-XX	29 5/8" (753mm)	20" (509mm)	14" (355mm)	34"(864) x 26"(660) x 33"(838)	130 lbs / 59 Kgs
B850/B860-36-00X-XX	35 5/8" (905mm)	26" (661mm)	16" (406mm)	40"(1016) x 26"(660) x 33"(838)	145 lbs / 66 Kgs
B850/B860-42-00X-XX	41 5/8" (1058mm)	32" (814mm)	19 3/4" (503mm)	46"(1168) x 26"(660) x 33"(838)	165 lbs / 75 Kgs
B850/B860-48C-00X-XX	47 5/8" (1210mm)	38" (966mm)	21 1/2" (545mm)	52"(1321) x 26"(660) x 33"(838)	172 lbs / 78 Kgs

For clarification, please contact Madeli Customer Care at (800) 819-6988 Ext.1 or [service@madeli.com](mailto:service@madeli.com)

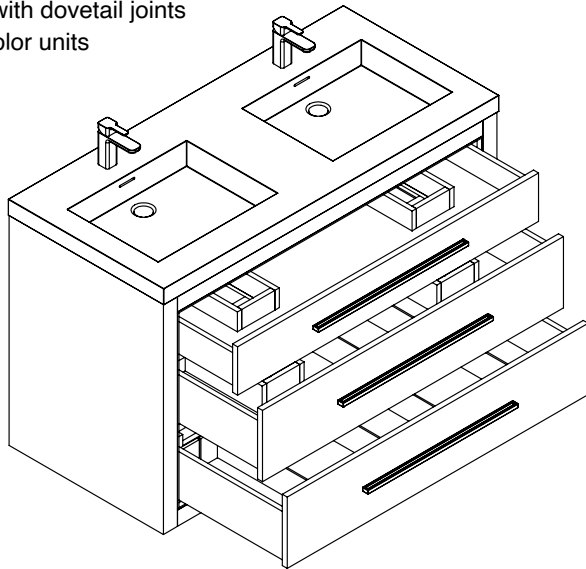
All dimensions are approximate and subject to standard tolerance. Specifications subject to change without prior notice.

## Villa/Estate - 48" - Double Bowl

## Cabinet Specifications

### Features

- Villa-Wall hung vanity or Estate-Free Standing Vanity
- Bathroom Furniture grade plywood layered with solid wood veneer protected by polyurethane or finished with premium polyurethane solid color paints
- Matching finish inside out
- Three fully adjustable drawers with full-extension soft-close European hardware.
- Middle and Bottom drawers include adjustable tempered glass dividers
- Handle/Inlay/Feet finish options: polished chrome (PC), brushed nickel (BN), polished nickel (PN), matte black (MB) and satin brass (SB)
- Cabinet furnished assembled.
- **Drawer Boxes:**
  - Matching color for solid color units
  - Light grey for wood veneer units
  - Solid wood with dovetail joints for natural color units



### Top/Basin options

- Glass countertop with above-counter ceramic basin.
- Glossy White X-Stone 2"H top/basin
- Glossy White X-Stone 4-1/2" H Trough sink
- X-Stone 3/4"H countertop no holes. To be field drilled.
- X-Stone 3/4"H countertop with above-counter ceramic basin
- Quartzstone 3"H countertop with undermount ceramic basin

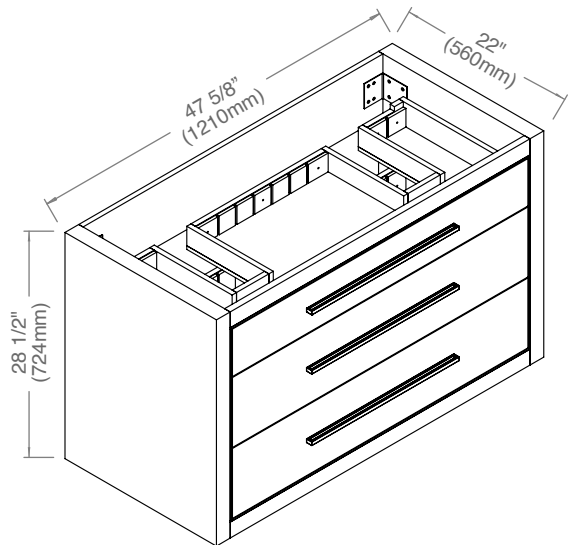
### Package Dimensions

52"(1321mm) x 26"(660mm) x 36"(914mm)

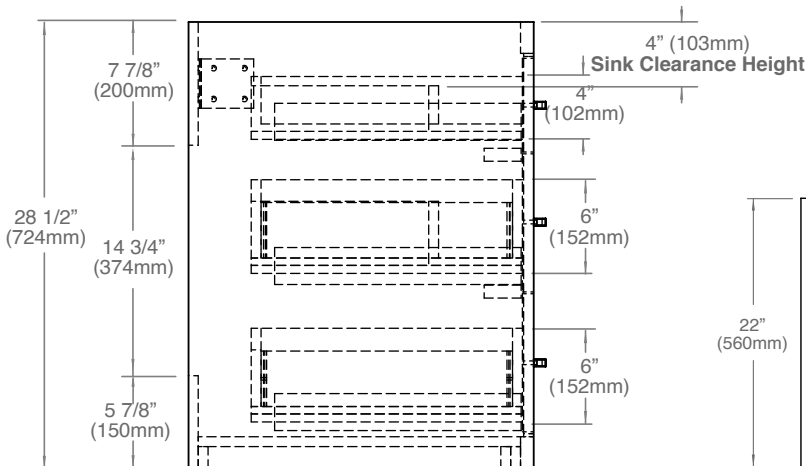
### Weight

172 lbs / 78 kgs.

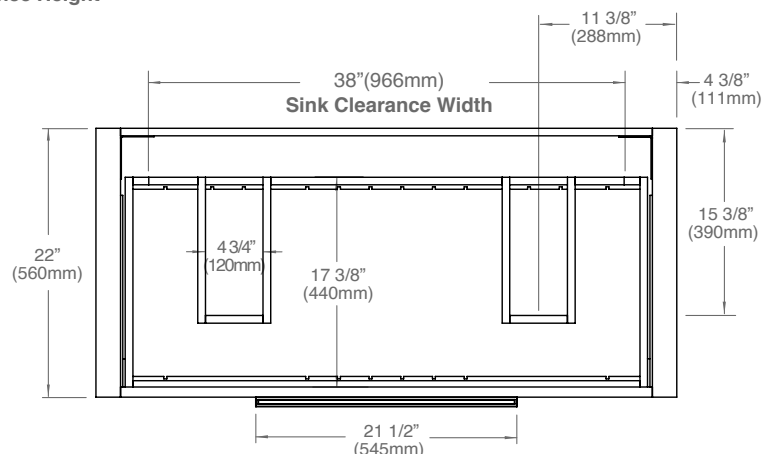
**NOTE: All 3/4" countertops with undermount sinks including Madeli's Quartzstone QST2208 collection and CB-2015 cannot be used on the Villa-B850 & Estate-B860 vanities.**



### SIDE VIEW



### TOP VIEW



For clarification, please contact Madeli Customer Care at (800) 819-6988 Ext.1 or [service@madeli.com](mailto:service@madeli.com)

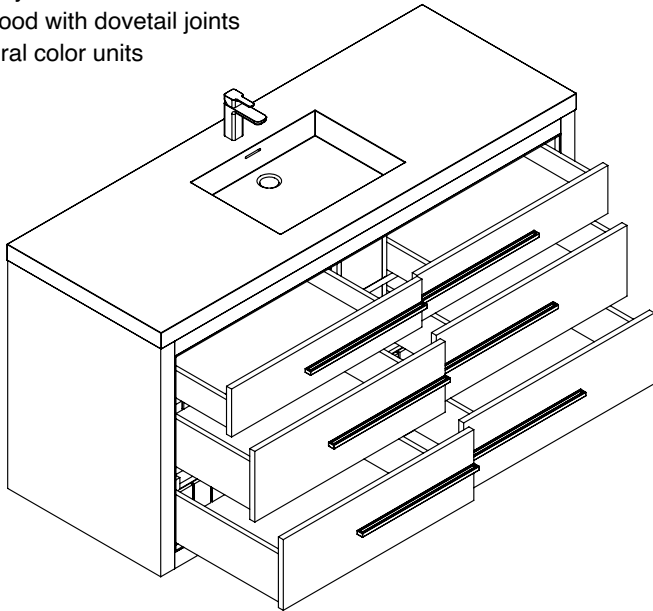
All dimensions are approximate and subject to standard tolerance. Specifications subject to change without prior notice.

## Villa/Estate - 60" Single Bowl

## Cabinet Specifications

### Features

- Villa-Wall hung vanity or Estate-Free Standing Vanity
- Bathroom Furniture grade plywood layered with solid wood veneer protected by polyurethane or finished with premium polyurethane solid color paints
- Matching finish inside out
- Six fully adjustable drawers with full-extension soft-close European hardware.
- Middle and Bottom drawers include adjustable tempered glass dividers
- Handle/Inlay/Feet finish options: polished chrome (PC), brushed nickel (BN), polished nickel (PN), matte black (MB) and satin brass (SB)
- Cabinet furnished assembled.
- **Drawer Boxes:**
  - Matching color for solid color units
  - Light grey for wood veneer units
  - Solid wood with dovetail joints for natural color units



### Top/Basin options

- Glass countertop with above-counter ceramic basin.
- Glossy White X-Stone 2"H top/basin
- Glossy White X-Stone 4-1/2" H Trough sink
- X-Stone 3/4"H countertop no holes. To be field drilled.
- X-Stone 3/4"H countertop with above-counter ceramic basin
- Quartzstone 3"H countertop with undermount ceramic basin

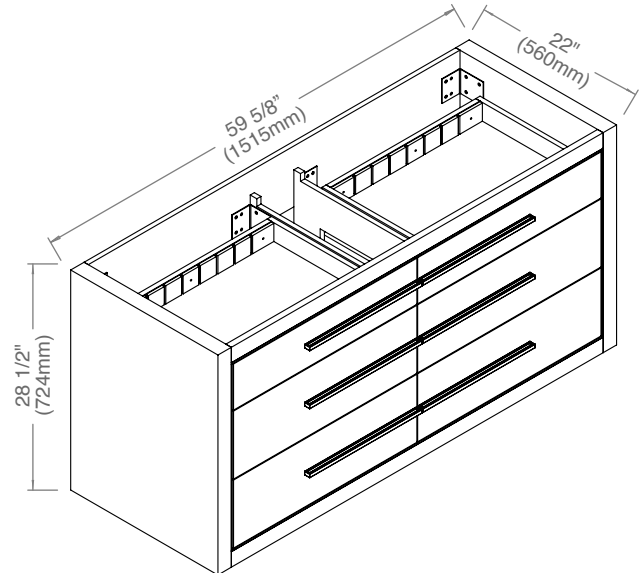
### Package Dimensions

64" (1625mm) x 26" (660mm) x 36" (914mm)

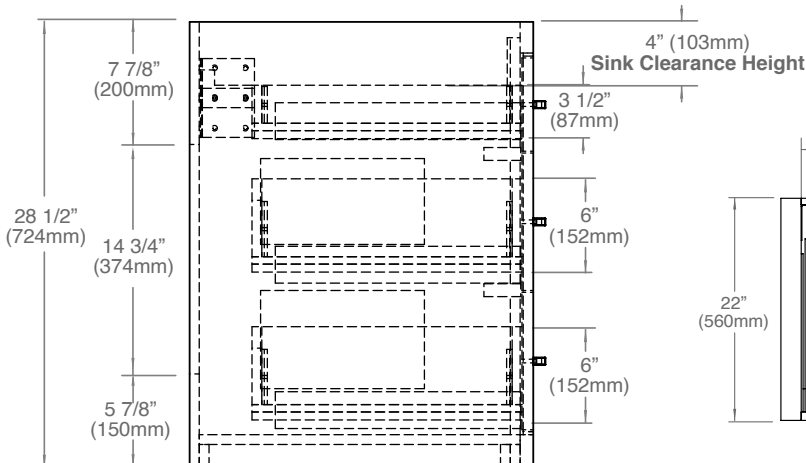
### Weight

238 lbs / 108 kgs.

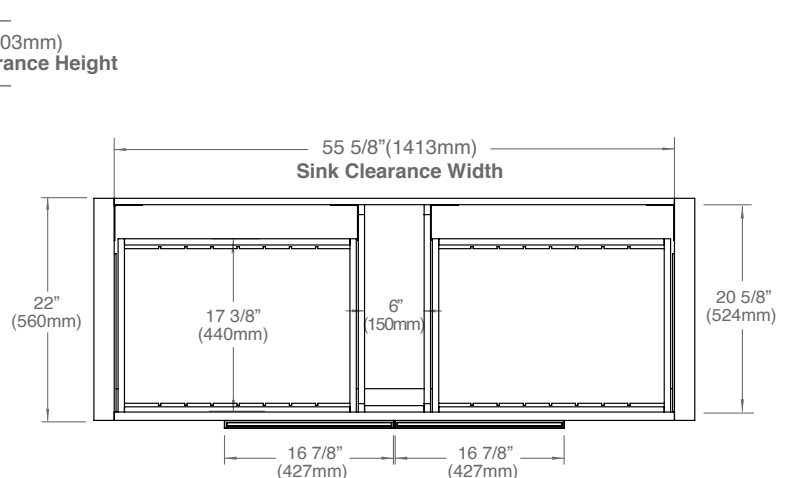
**NOTE: All 3/4" countertops with undermount sinks including Madeli's Quartzstone QST2208 collection and CB-2015 cannot be used on the Villa-B850 & Estate-B860 vanities.**



### SIDE VIEW



### TOP VIEW



For clarification, please contact Madeli Customer Care at (800) 819-6988 Ext.1 or [service@madeli.com](mailto:service@madeli.com)

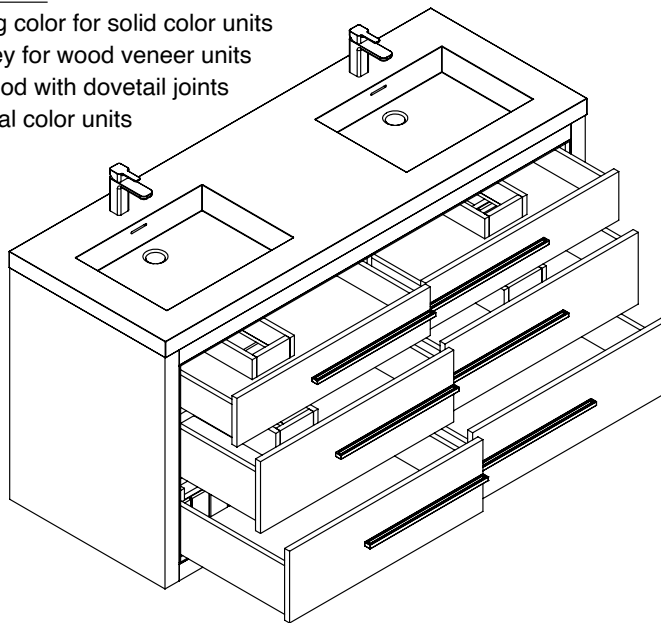
All dimensions are approximate and subject to standard tolerance. Specifications subject to change without prior notice.

## Villa/Estate - 60"/72" Double Bowl

## Cabinet Specifications

### Features

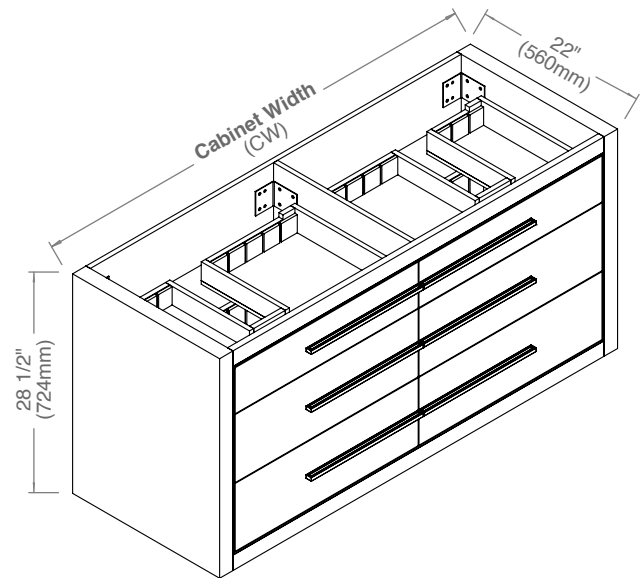
- Villa-Wall hung vanity or Estate-Free Standing Vanity
- Bathroom Furniture grade plywood layered with solid wood veneer protected by polyurethane or finished with premium polyurethane solid color paints
- Matching finish inside out
- Six fully adjustable drawers with full-extension soft-close European hardware.
- Middle and Bottom drawers include adjustable tempered glass dividers
- Handle/Inlay/Feet finish options: polished chrome (PC), brushed nickel (BN), polished nickel (PN), matte black (MB) and satin brass (SB)
- Cabinet furnished assembled.
- **Drawer Boxes:**
  - Matching color for solid color units
  - Light grey for wood veneer units
  - Solid wood with dovetail joints for natural color units



### Top/Basin options

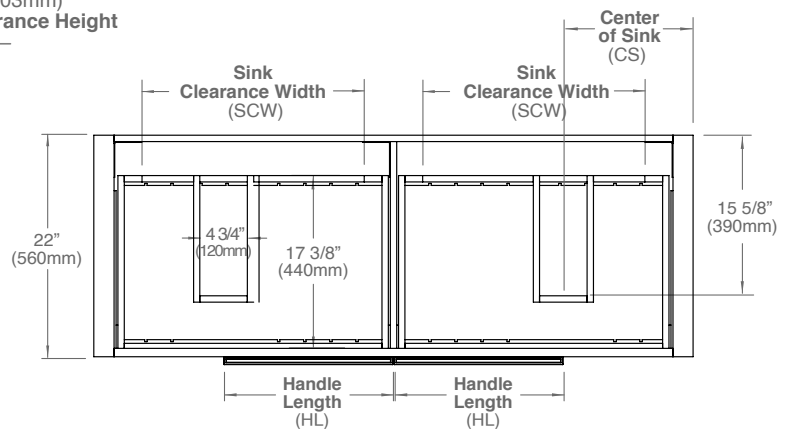
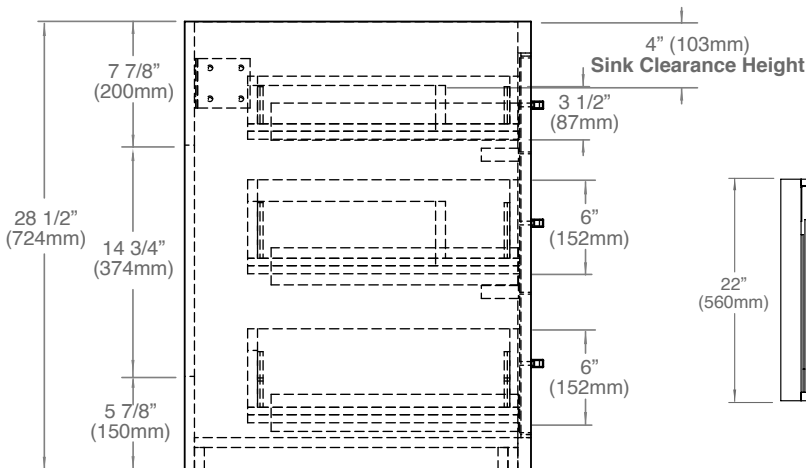
- Glass countertop with above-counter ceramic basin.
- Glossy White X-Stone 2"H top/basin
- Glossy White X-Stone 4-1/2" H Trough sink
- X-Stone 3/4"H countertop no holes. To be field drilled.
- X-Stone 3/4"H countertop with above-counter ceramic basin
- Quartzstone 3"H countertop with undermount ceramic basin

**NOTE: All 3/4" countertops with undermount sinks including Madeli's Quartzstone QST2208 collection and CB-2015 cannot be used on the Villa-B850 & Estate-B860 vanities.**



### SIDE VIEW

### TOP VIEW



MODEL	CW	CS	SCW	HL	Package Dimensions	Weight
B850/B860-60D-00X-XX	59 5/8"(1515mm)	13"(328mm)	22 1/16"(561mm)	16 7/8"(427mm)	64"(1626) x 26"(660) x 33"(838)	238 lbs / 108 Kgs
B850/B860-72D-00X-XX	71 5/8"(1820mm)	14 1/2"(368mm)	28 1/16"(714mm)	21 1/2"(545mm)	76"(1930) x 26"(660) x 33"(838)	280 lbs / 128 Kgs

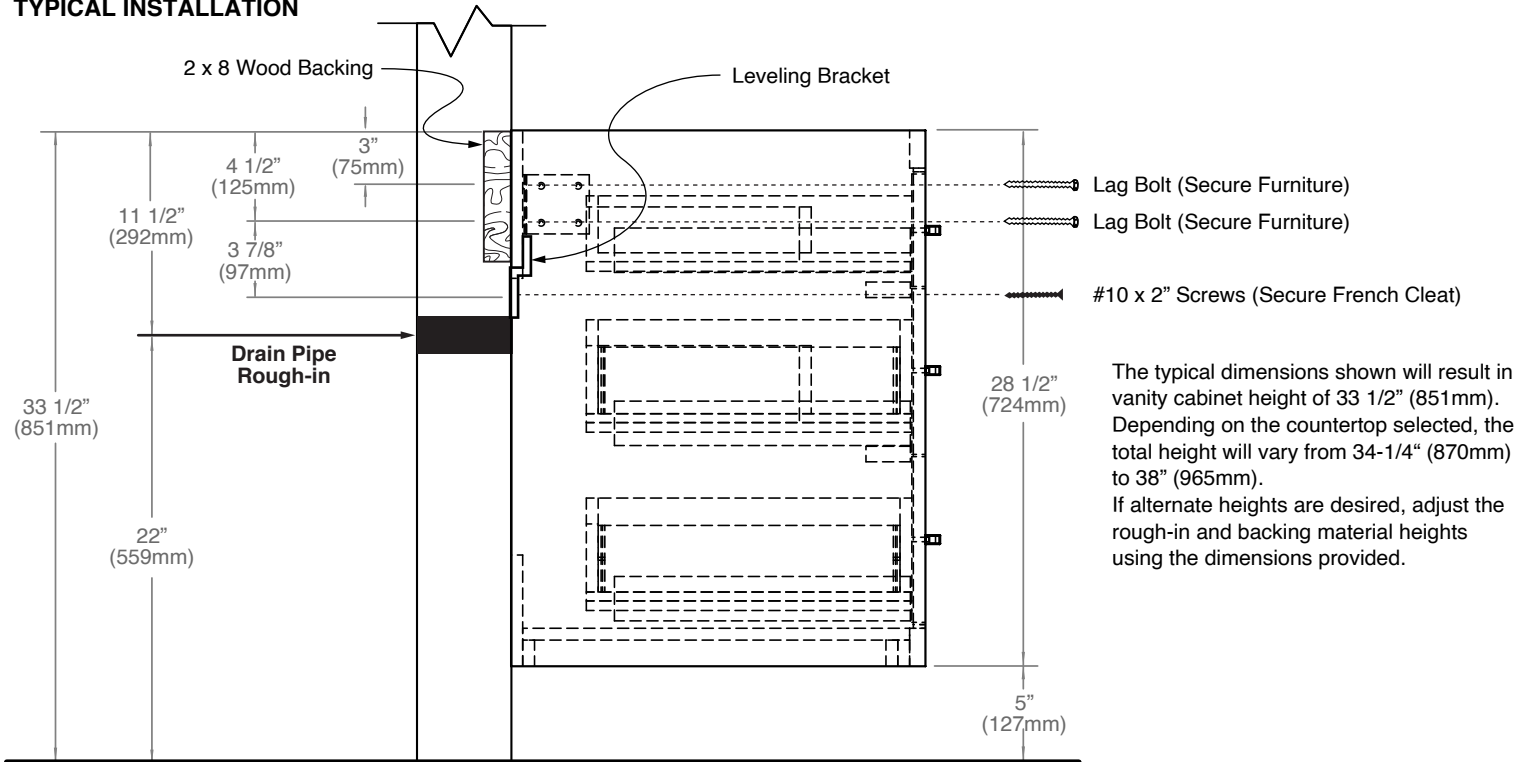
For clarification, please contact Madeli Customer Care at (800) 819-6988 Ext.1 or [service@madeli.com](mailto:service@madeli.com)

All dimensions are approximate and subject to standard tolerance. Specifications subject to change without prior notice.

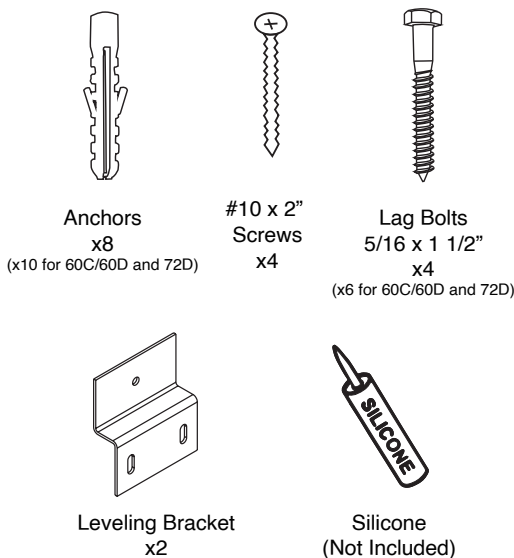
## Villa - WALL HUNG VANITY

## Installation Guide

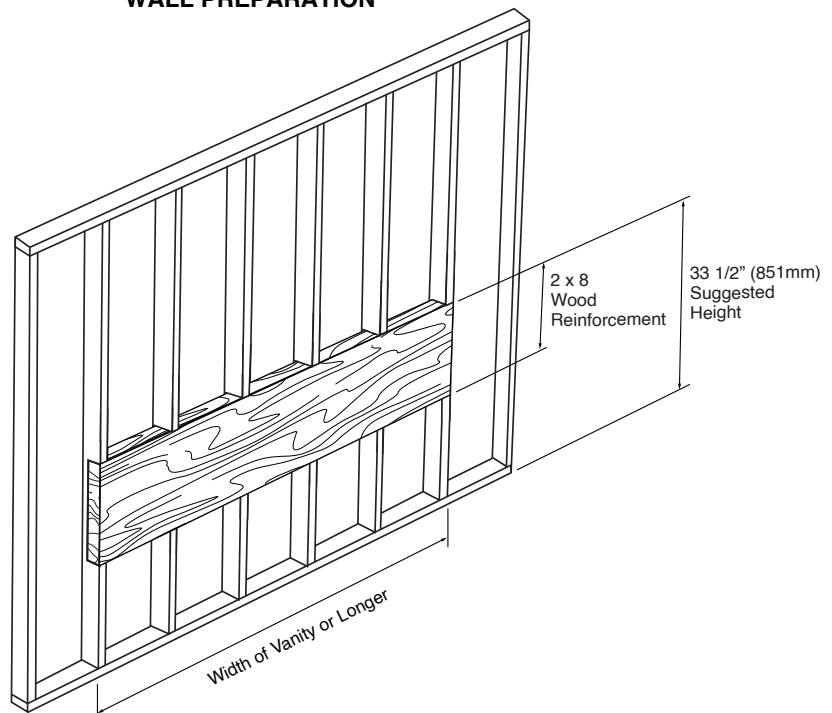
### TYPICAL INSTALLATION



### ACCESSORIES FOR INSTALLATION



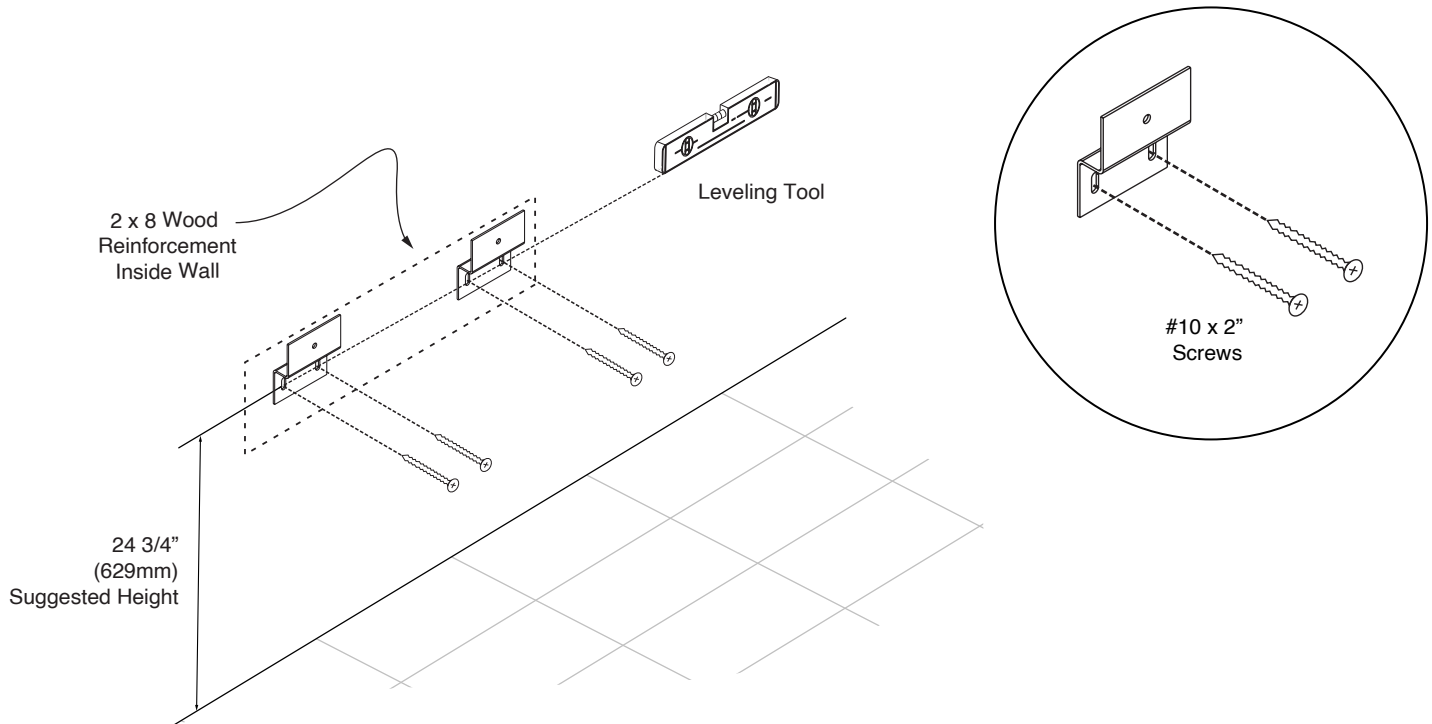
### WALL PREPARATION



## Villa - WALL HUNG VANITY

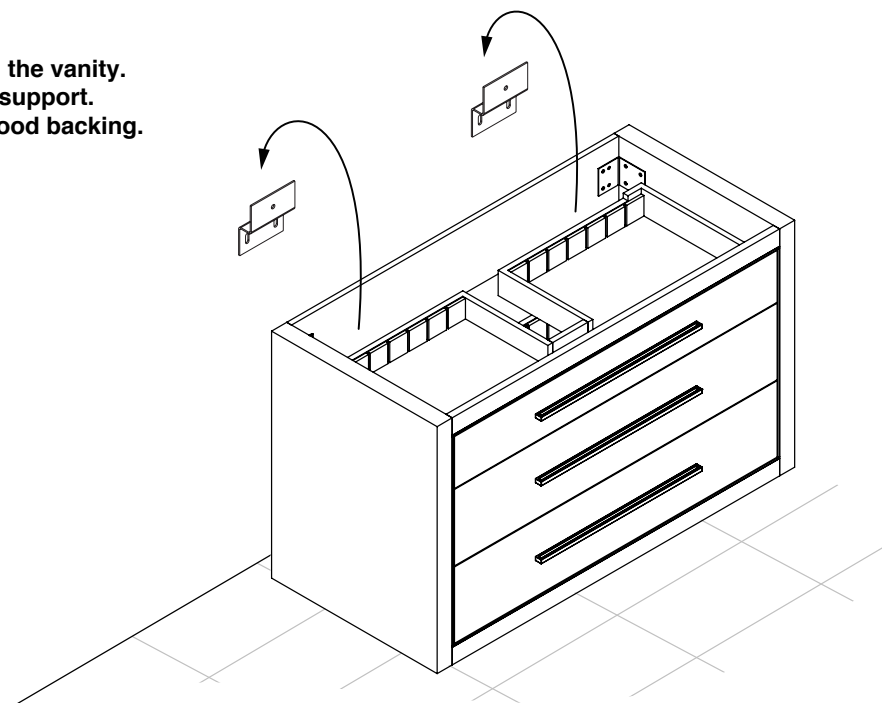
## Installation Guide

### STEP 1: Install leveling brackets



### STEP 2: Place vanity on leveling bracket.

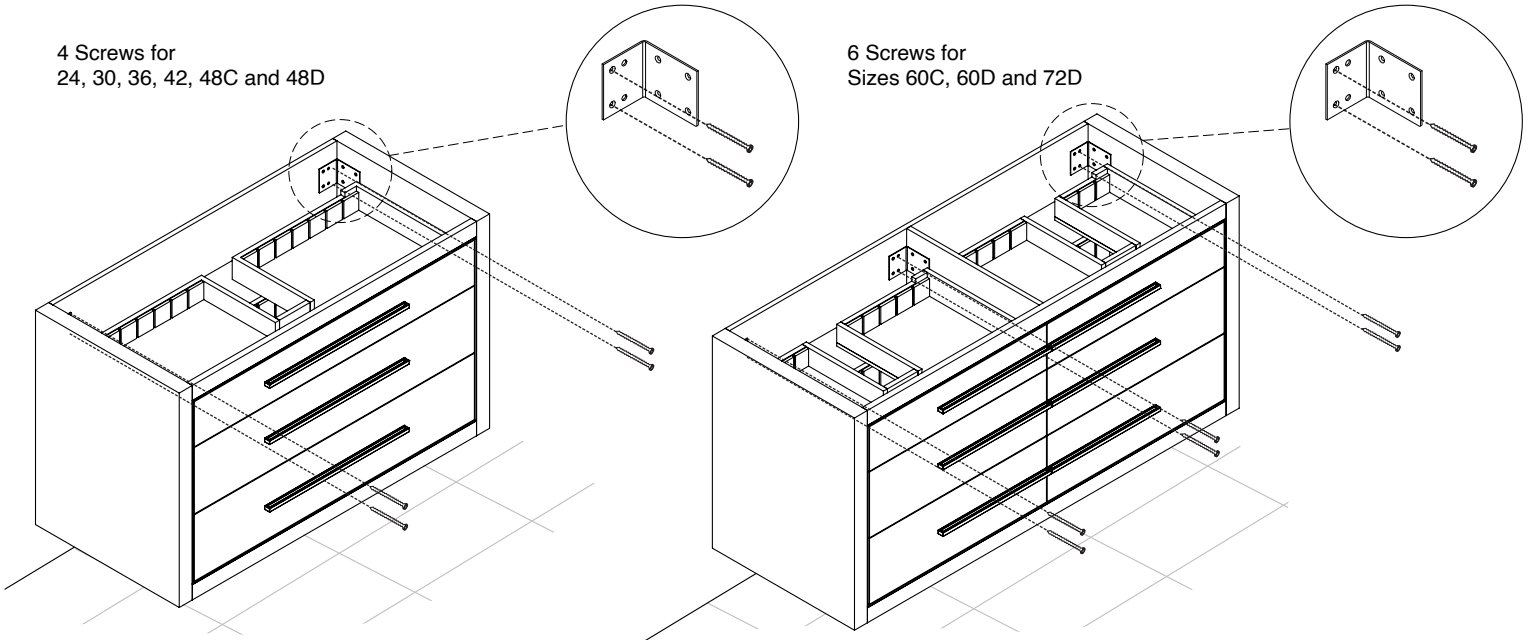
**The leveling brackets are only to level the vanity.  
They are not designed for permanent support.  
The cabinet needs to be secured to wood backing.**



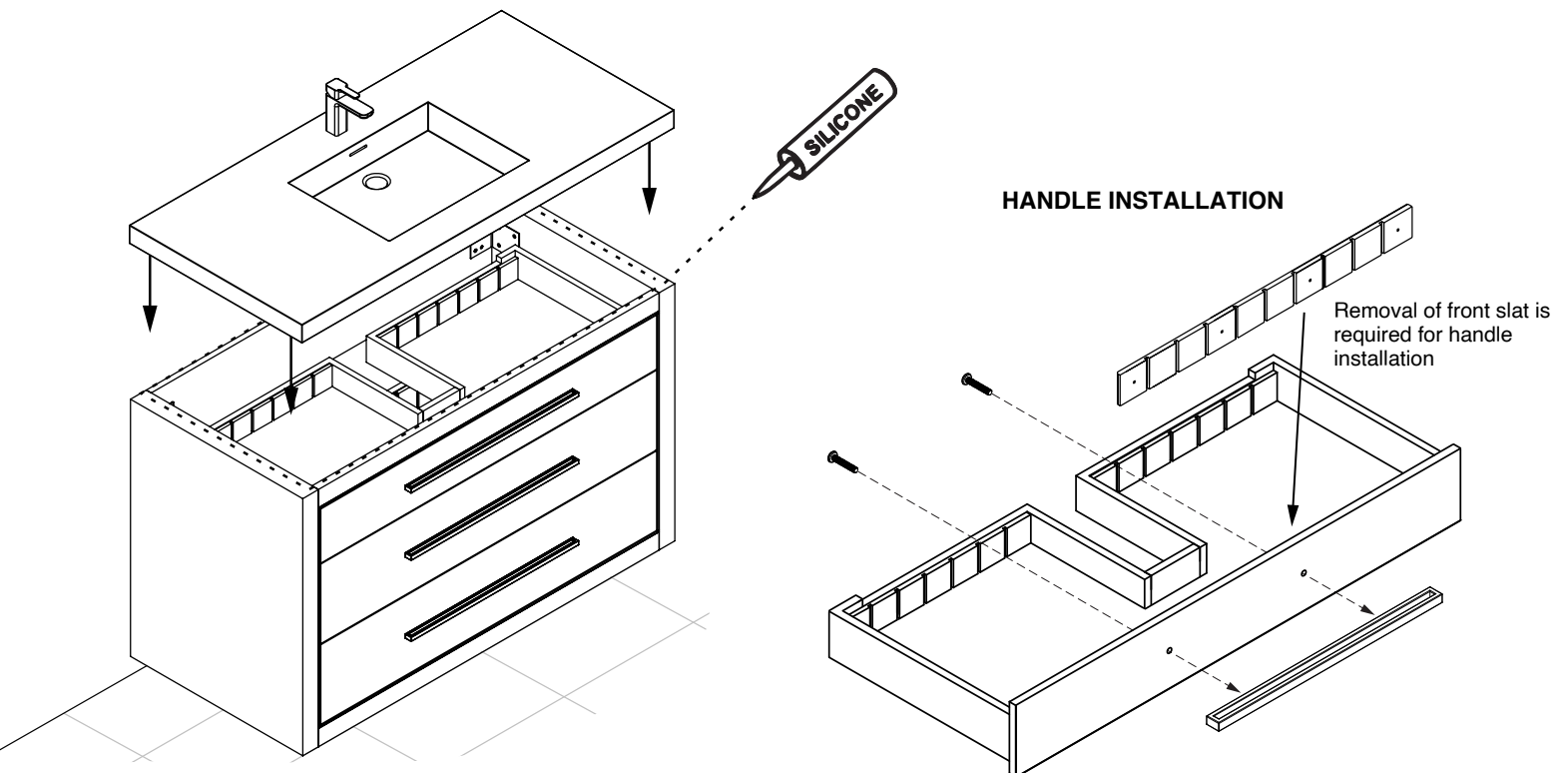
## Villa - WALL HUNG VANITY

## Installation Guide

**STEP 3:** Secure vanity to wood reinforcement backing.



**STEP 4:** Install countertop with silicone as shown below.

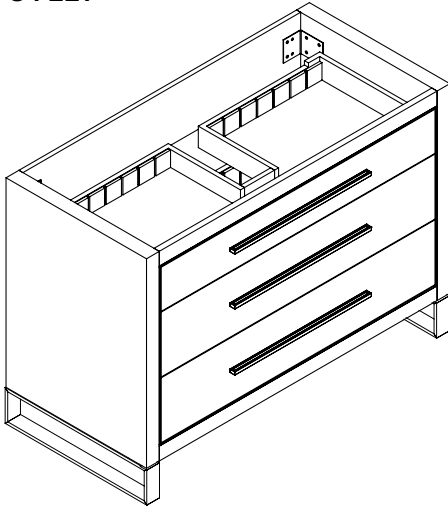


For clarification, please contact Madeli Customer Care at (800) 819-6988 Ext.1 or [service@madeli.com](mailto:service@madeli.com)  
All dimensions are approximate and subject to standard tolerance. Specifications subject to change without prior notice.

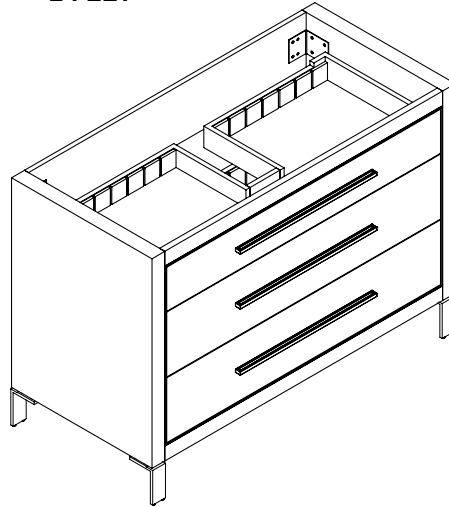
## Estate - FREE STANDING VANITY

## Feet/Base Installation

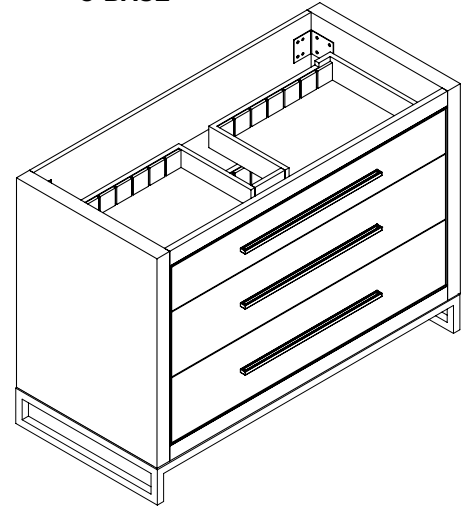
S-FEET



L-FEET



C-BASE



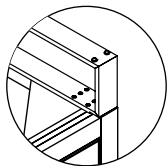
### FEET/BASE INSTALLATION

1. Flip cabinet in the upside down position.
2. Mark screw locations using legs/base as template.
3. Pre-drill holes with 5/64", 3/32" or 7/64" drill bit about 1/2" deep.
4. Using provided screws, fix legs/base to cabinet as shown below.

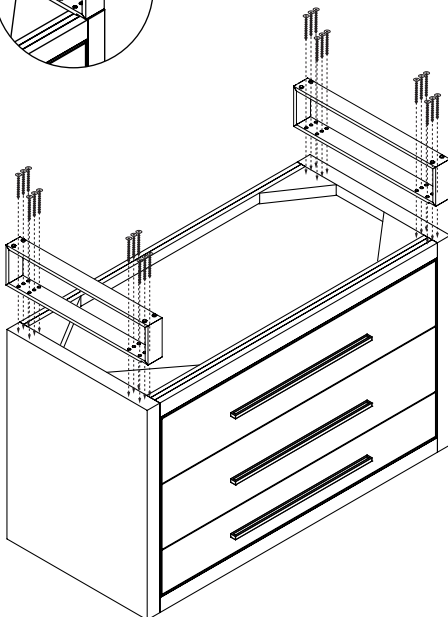
If using a regular battery drill, set clutch to minimum and increase setting as needed.

**DO NOT OVER TIGHTEN THE SCREWS. DOING SO WILL SPLIT THE WOOD SIDE PANEL.**

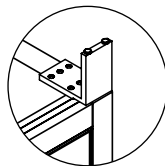
### S-FEET INSTALLATION



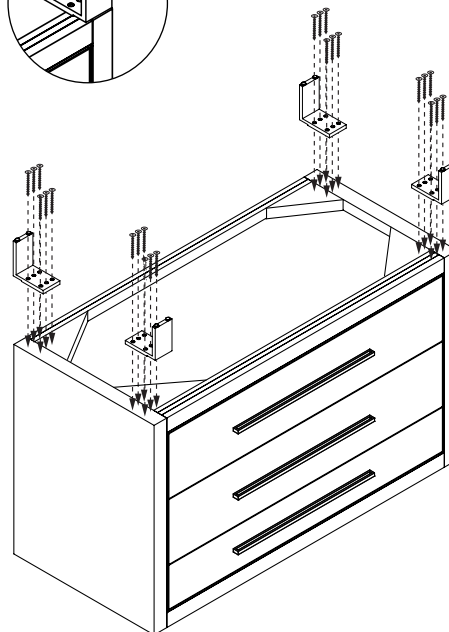
Flush with cabinet edges



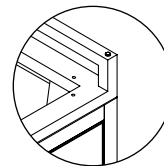
### L-FEET INSTALLATION



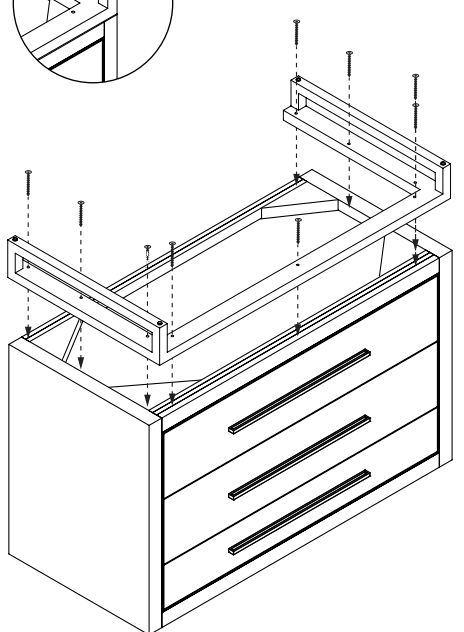
Flush with cabinet edges



### C-BASE INSTALLATION



Flush with cabinet edges



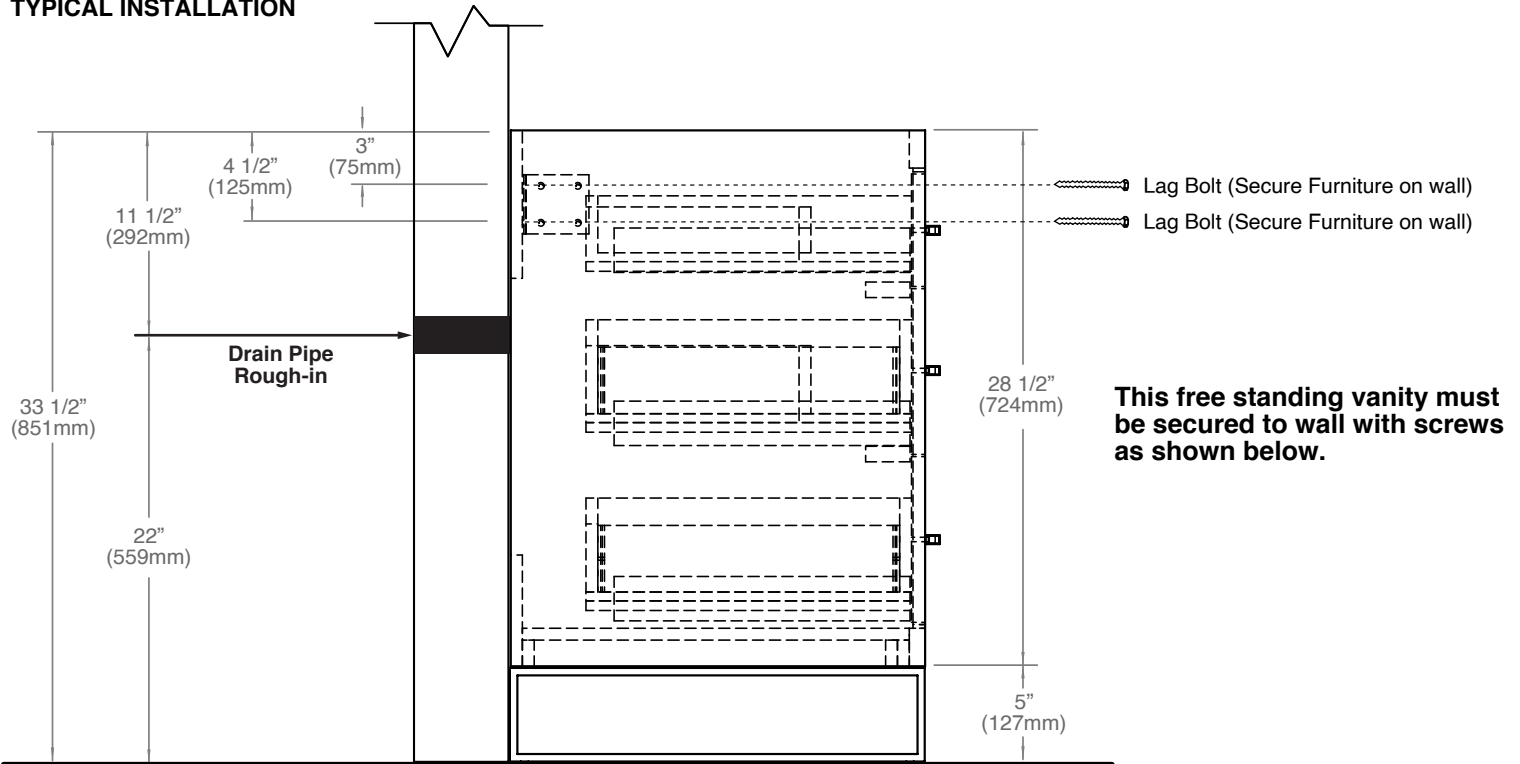
For clarification, please contact Madeli Customer Care at (800) 819-6988 Ext.1 or [service@madeli.com](mailto:service@madeli.com)

All dimensions are approximate and subject to standard tolerance. Specifications subject to change without prior notice.

## Estate - FREE STANDING VANITY

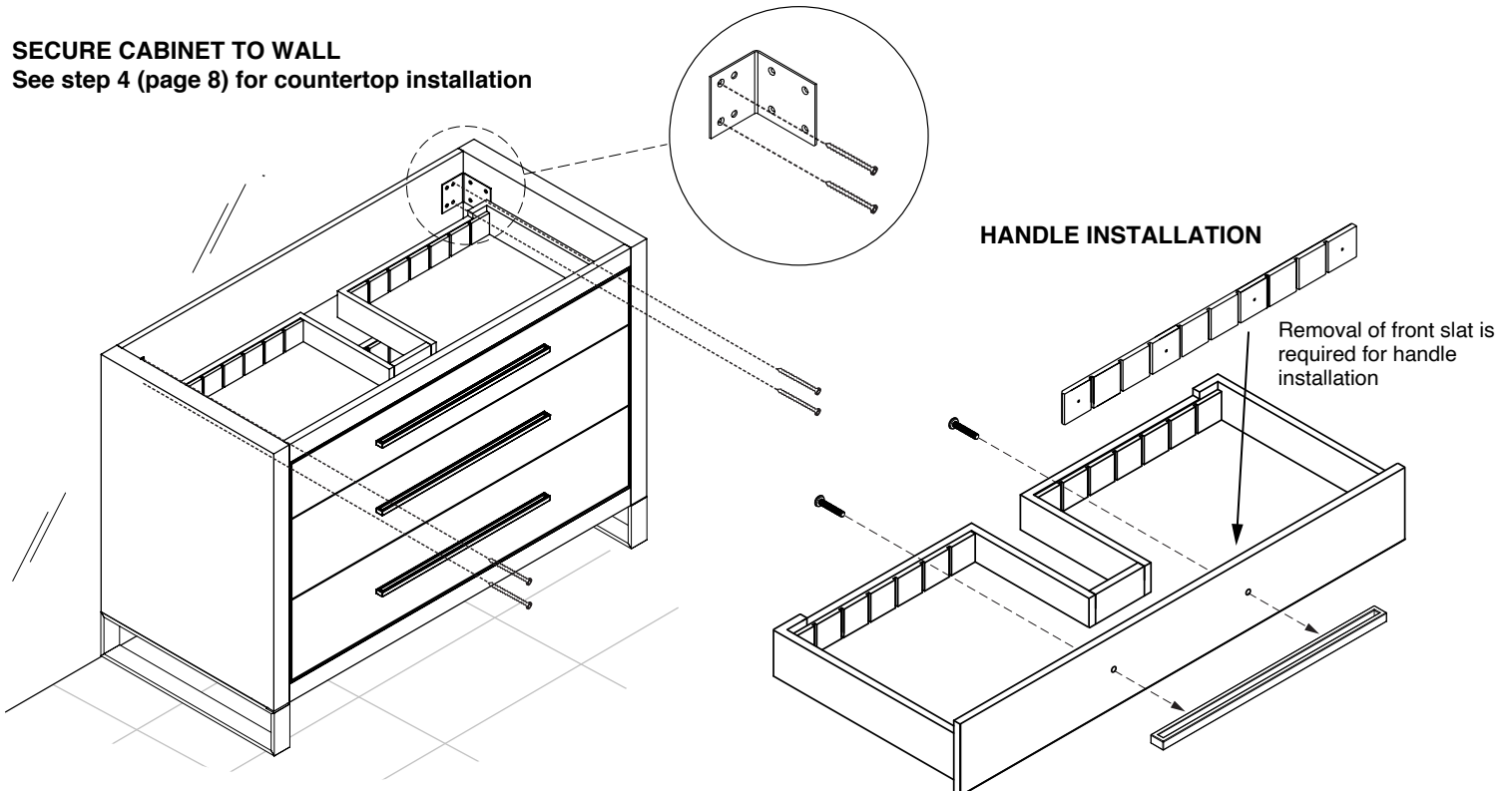
## Installation Guide

### TYPICAL INSTALLATION



### SECURE CABINET TO WALL

See step 4 (page 8) for countertop installation



For clarification, please contact Madeli Customer Care at (800) 819-6988 Ext.1 or [service@madeli.com](mailto:service@madeli.com)  
All dimensions are approximate and subject to standard tolerance. Specifications subject to change without prior notice.