



W: 17-<sup>3</sup>/<sub>4</sub>"  
D: 10-<sup>5</sup>/<sub>8</sub>"  
H: 4-<sup>3</sup>/<sub>4</sub>"

**Features:**

- ▶ Wall or countertop installation
- ▶ Concrete
- ▶ No overflow for a clean look
- ▶ Matching 1.75" drain included
- ▶ Mounting hardware included
- ▶ No faucet holes
- ▶ Krete logo
- ▶ Available in 2 signature colors
- ▶ Each basin is subtly unique in tone and texture
- ▶ Hand-finished

**Colors:**

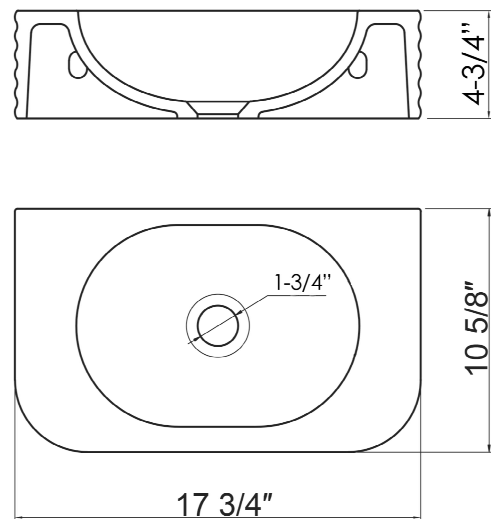
**211594** Blue Grey  
**211587** Light Grey

**Compliance Certification**  
Meets or exceeds the following specifications: ASME A112.19.2 2018 and CSA B45.1-18 for ceramic plumbing fixtures.

**\*Please do NOT drill hole without template or actual product.**

**Interior Dimensions:**

Basin Interior: 12-<sup>1</sup>/<sub>4</sub>" x 8-<sup>5</sup>/<sub>8</sub>"  
Basin Depth: 3-<sup>1</sup>/<sub>2</sub>"  
Back of basin to center of drain: 5"  
Drain hole: 1-<sup>3</sup>/<sub>4</sub>"



Dimensions of fixture are nominal and may vary within the range of tolerances established by AMSE Standard A112.19.2.2018  
Dimensions and specifications subject to change without notice.