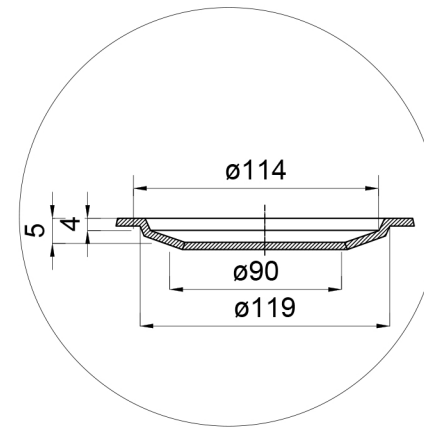
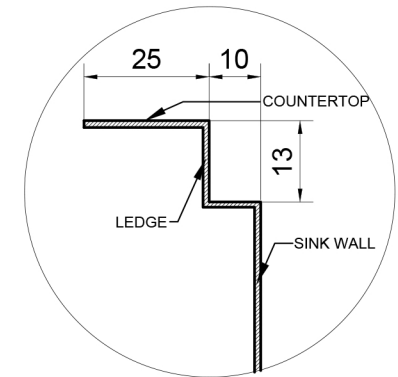


Detail 1 – Drain  
(1:2.5)



Detail 2 – Inner ledge  
(1:2.5)



Front view



Section

