



S-236.01

Available finishes:



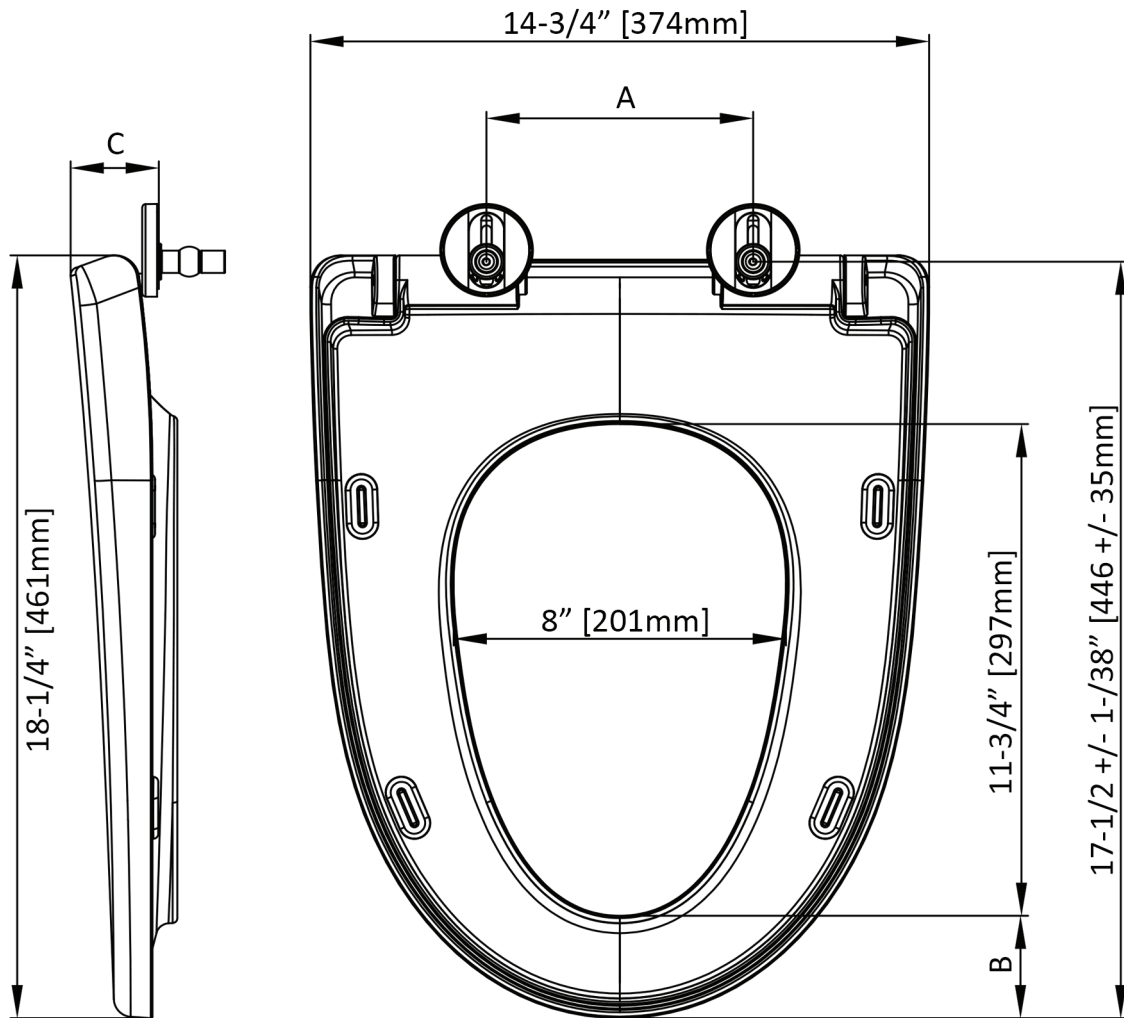
White .01

PRODUCT DETAILS

- Compatible with most standard elongated and compact-elongated toilets
- Polypropylene construction
- Hardware and hinge caps (white plastic) included

See reverse page for detailed specifications

S-236 SPECIFICATIONS



A: 6-1/4" +/- 2-3/4" [161 +/- 70mm]
 B: 2-1/2" [62mm]
 C: 2" [53mm]

Available colors:

- S-236.01 White

Replacement parts:

- Mounting hardware: SB-236.01 (includes white plastic hinge caps)
- Hinge caps set: SC-236.01 (available in white plastic only)

IMPORTANT: Dimensions are nominal and may vary within the range of tolerance per NSI Standard A112.19.2. These measurements are subject to change. No responsibility is assumed for use of superseded or voided pages. Due to such nominal variations with all ceramic products, vanity countertops to be used with ceramic sinks should only be cut with the actual sink intended for installation, to physically ensure that cut-out dimensions are appropriate. The diagram and dimensions provided are for illustration only, are approximate and not to scale, and are not suitable for use as a cut-out template. No responsibility is assumed for the use or mis-use of these pages for installation purposes.