

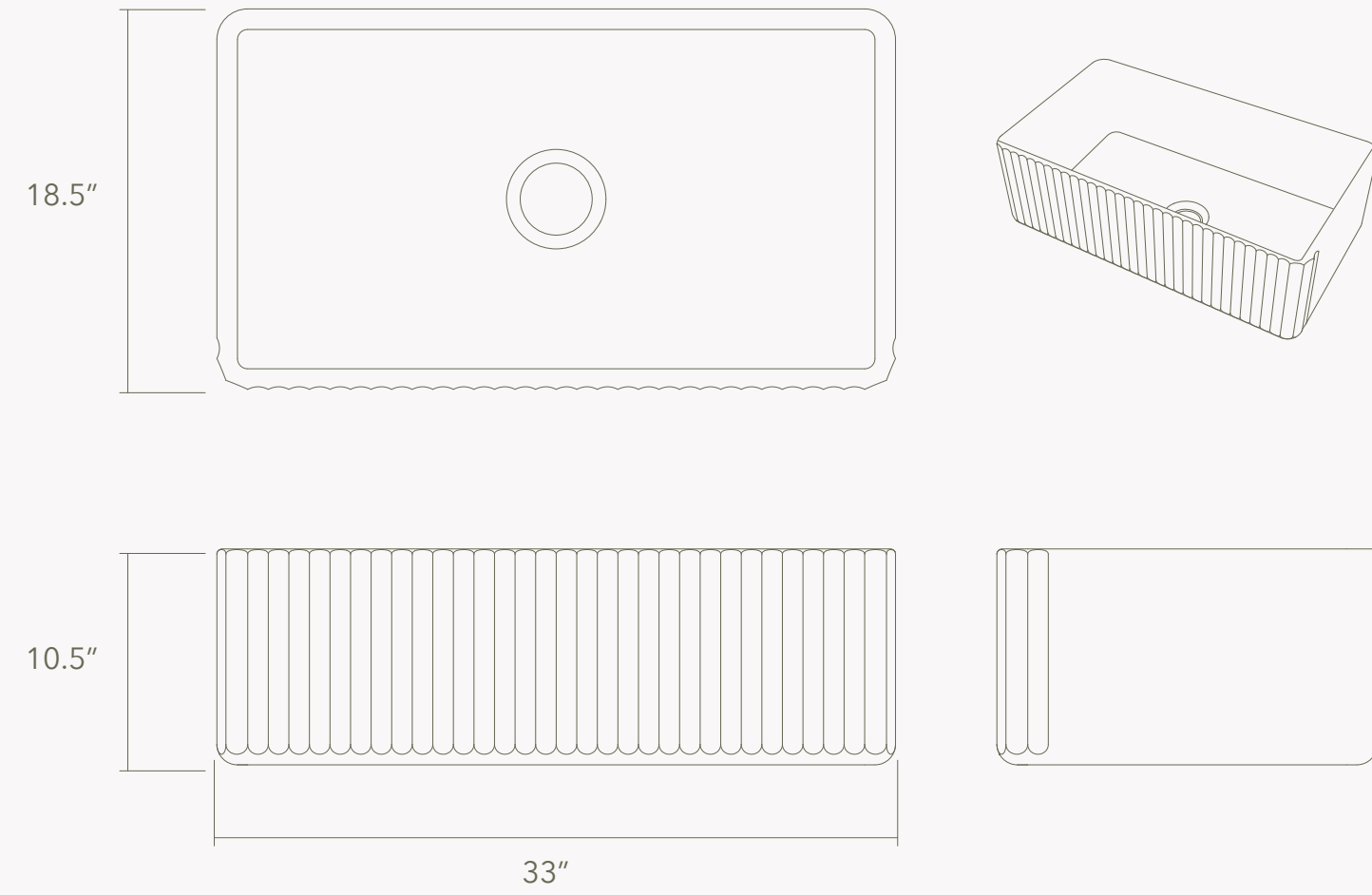


Konkretus.com

# Iguazú 02

Product Data Sheet

**KONKRETUS**



**Scale 1:5**

Note:  
Illustrative images, may vary from the real product.

**Dimensions**  
Dimensiones

|                             |  |
|-----------------------------|--|
| <b>Height</b><br>Altura     | 10.5" Inches - 26.6 Cm<br>10.5" Pulgadas - 26.6 Cm |
| <b>Width</b><br>Ancho       | 33" Inches - 84 Cm<br>33" Pulgadas - 84 Cm         |
| <b>Depth</b><br>Profundidad | 18.5" Inches - 47 Cm<br>18.5" Pulgadas - 47 Cm     |

**Weight**  
Peso

139 Pounds - 63.1 Kg  
139 Libras - 63.1 Kg

**Material**  
Material

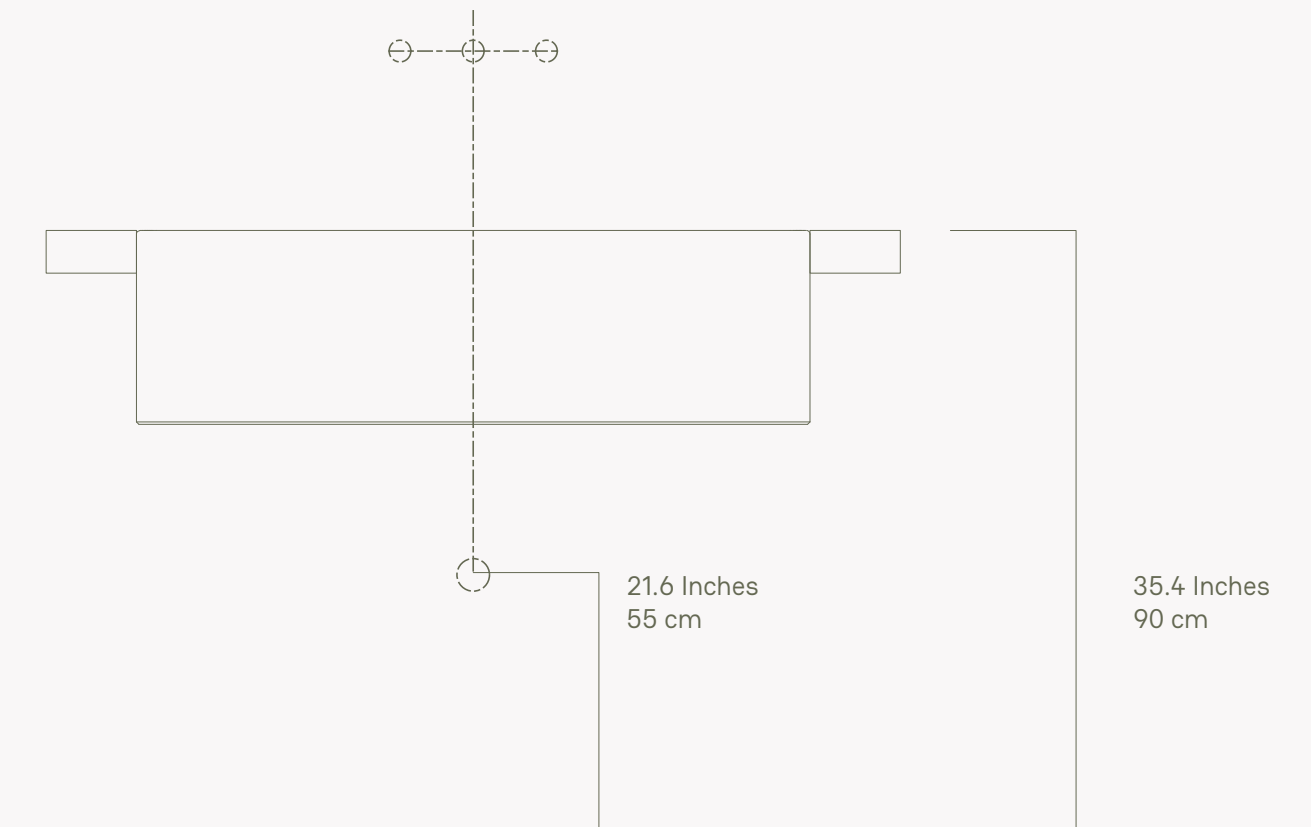
Concrete  
Concreto

Note:  
These are approximate and may vary.

**Installation Notes**

Notas de Instalación

Recommended height for wall mounted taps  
Altura recomendada para grifería de pared



**Recommended perforations for drain and countertop tap.**

Perforaciones recomendadas para el desague y la grifería de mesón.

Note:  
These are recommended and may vary, verify before intallate.

