

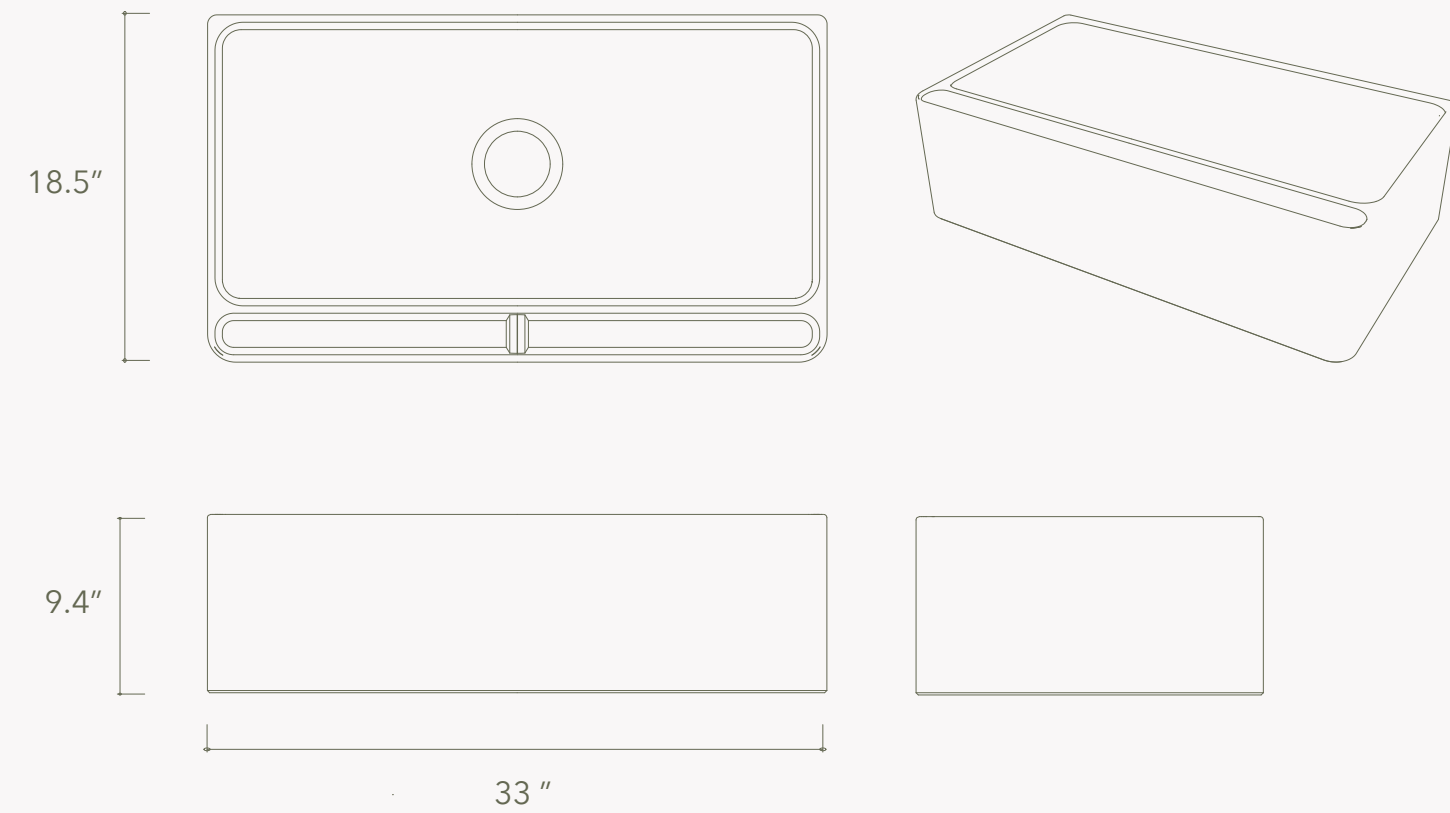


Konkretus.com

# Iguazú 01

Product Data Sheet

**KONKRETUS**



**Scale 1:5**

Note:  
Illustrative images, may vary from the real product.

**Dimensions**  
Dimensiones

<b>Height</b> Altura	9.4" Inches - 24 Cm 9.4" Pulgadas - 24 Cm
<b>Width</b> Ancho	33" Inches - 84 Cm 33" Pulgadas - 84 Cm
<b>Depth</b> Profundidad	18.5" Inches - 47 Cm 18.5" Pulgadas - 47 Cm

**Weight**  
Peso

130 Pounds - 59 Kg  
130 Libras - 59 Kg

**Material**  
Material

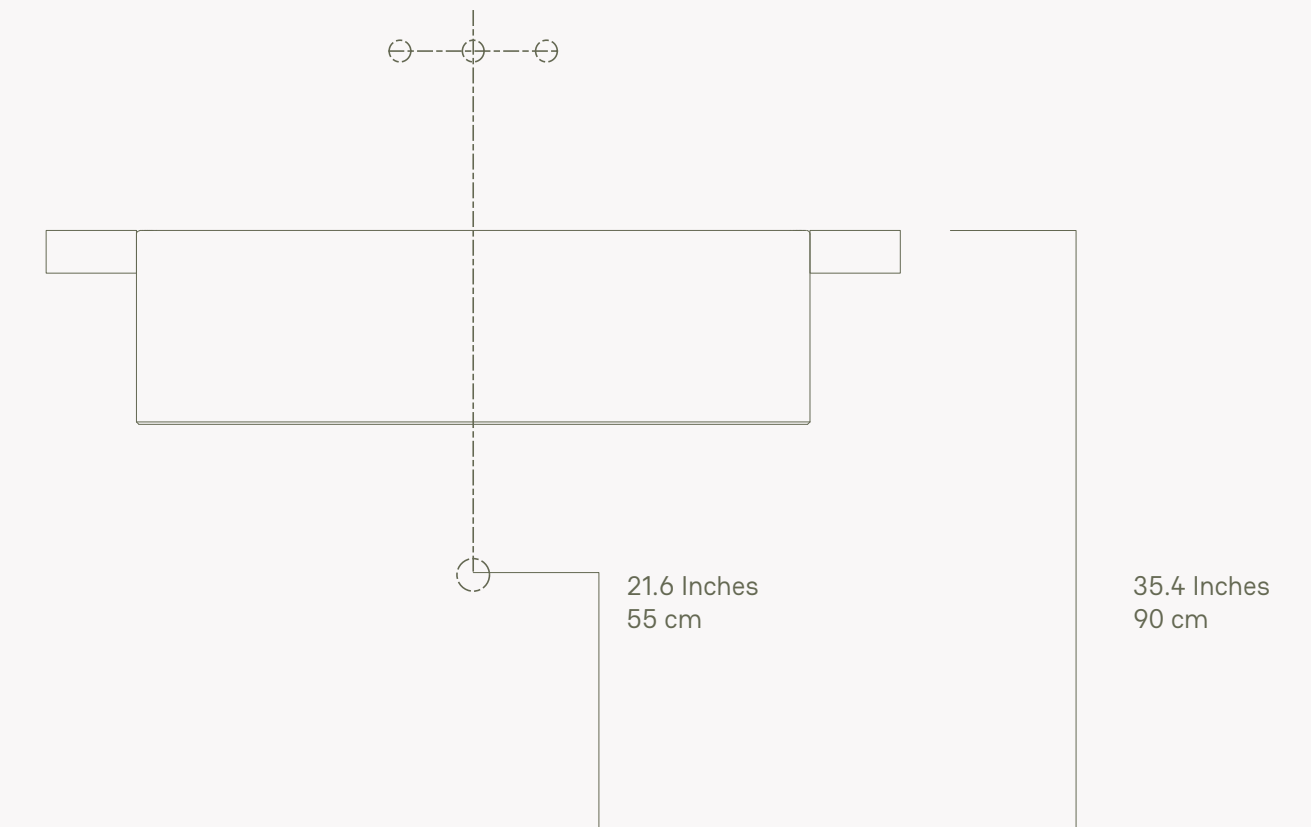
Concrete  
Concreto

Note:  
These are approximate and may vary.

**Installation Notes**

Notas de Instalación

Recommended height for wall mounted taps  
Altura recomendada para grifería de pared



**Recommended perforations for drain and countertop tap.**

Perforaciones recomendadas para el desague y la grifería de mesón.

Note:  
These are recommended and may vary, verify before intallate.

