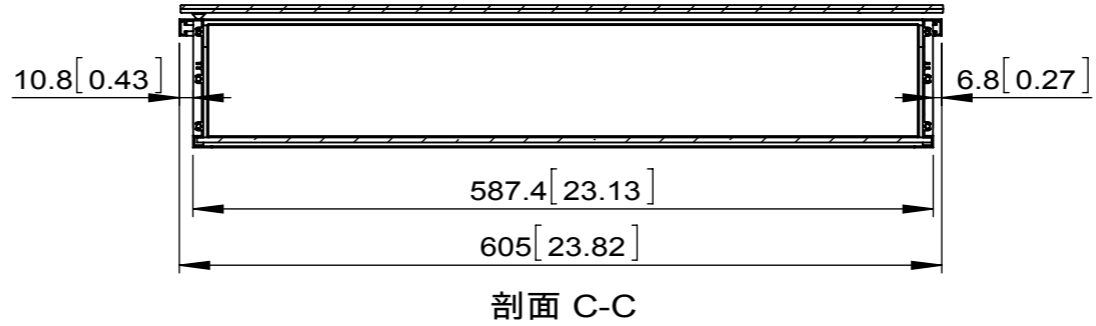
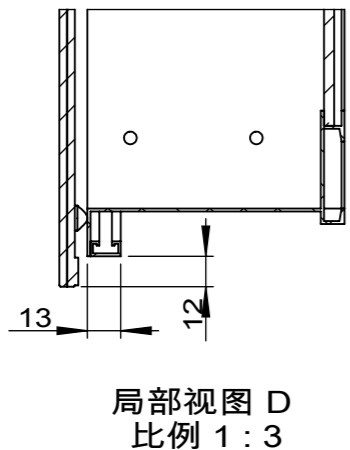
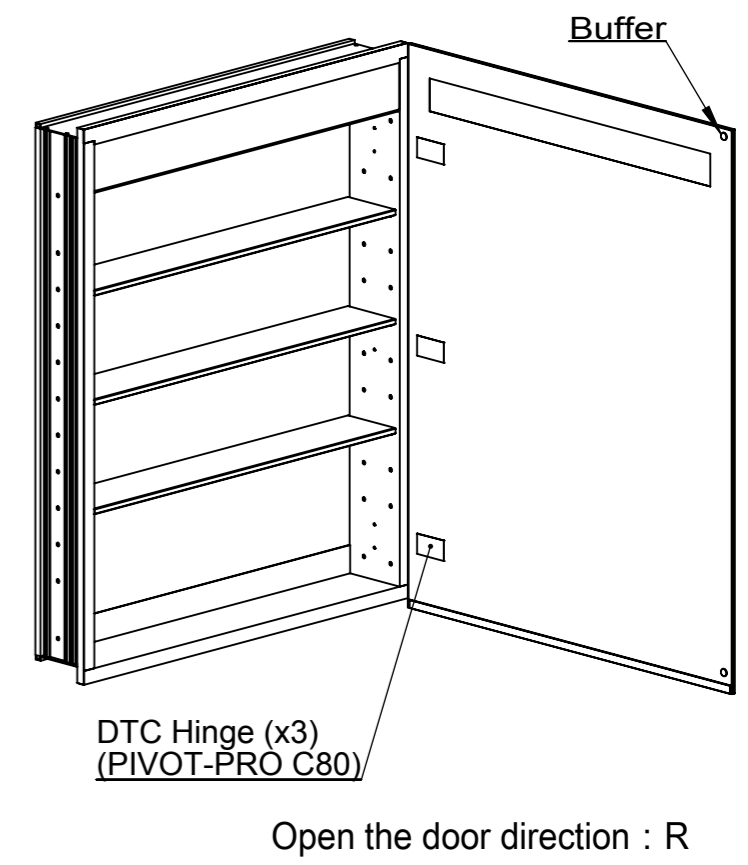
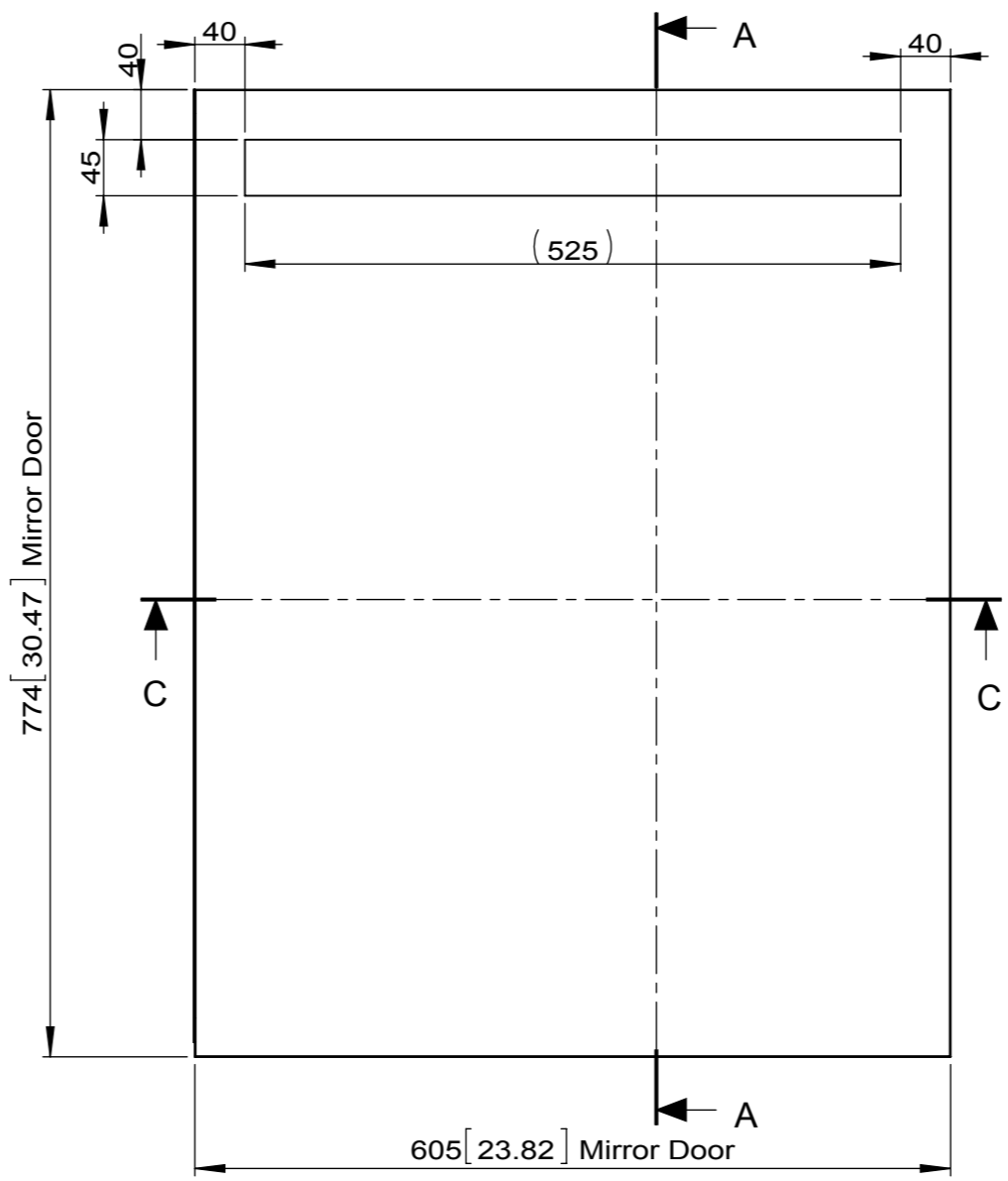
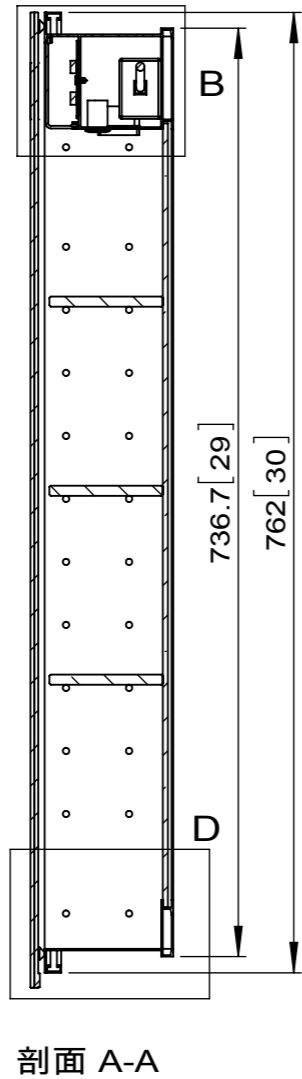
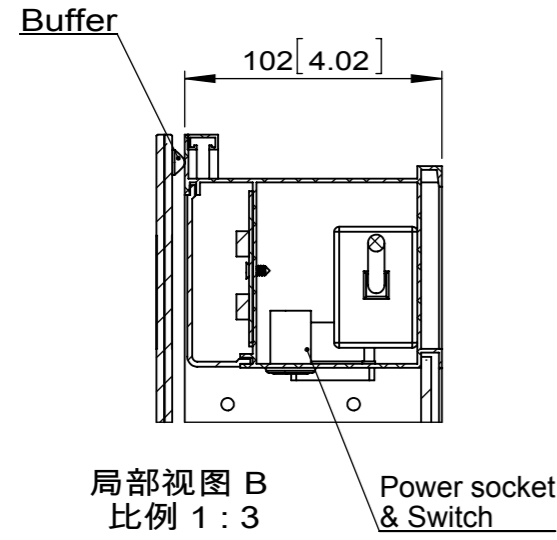
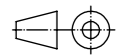


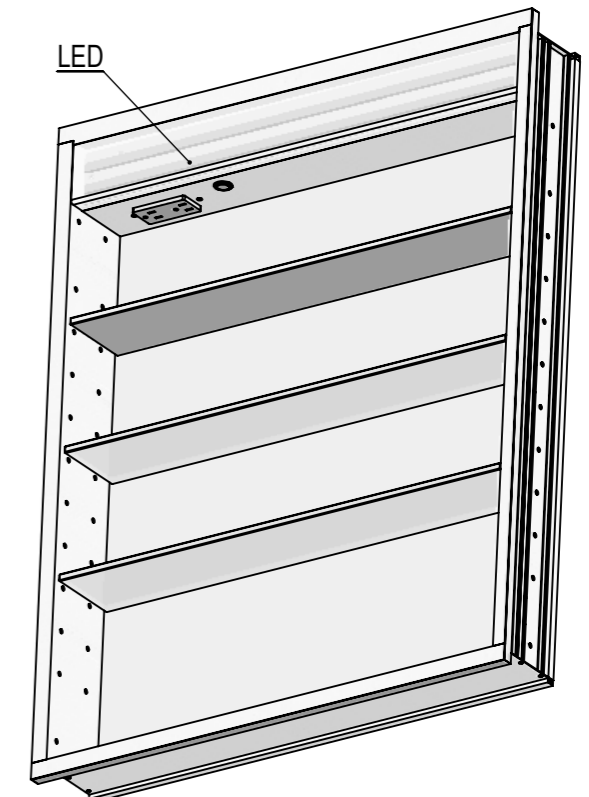
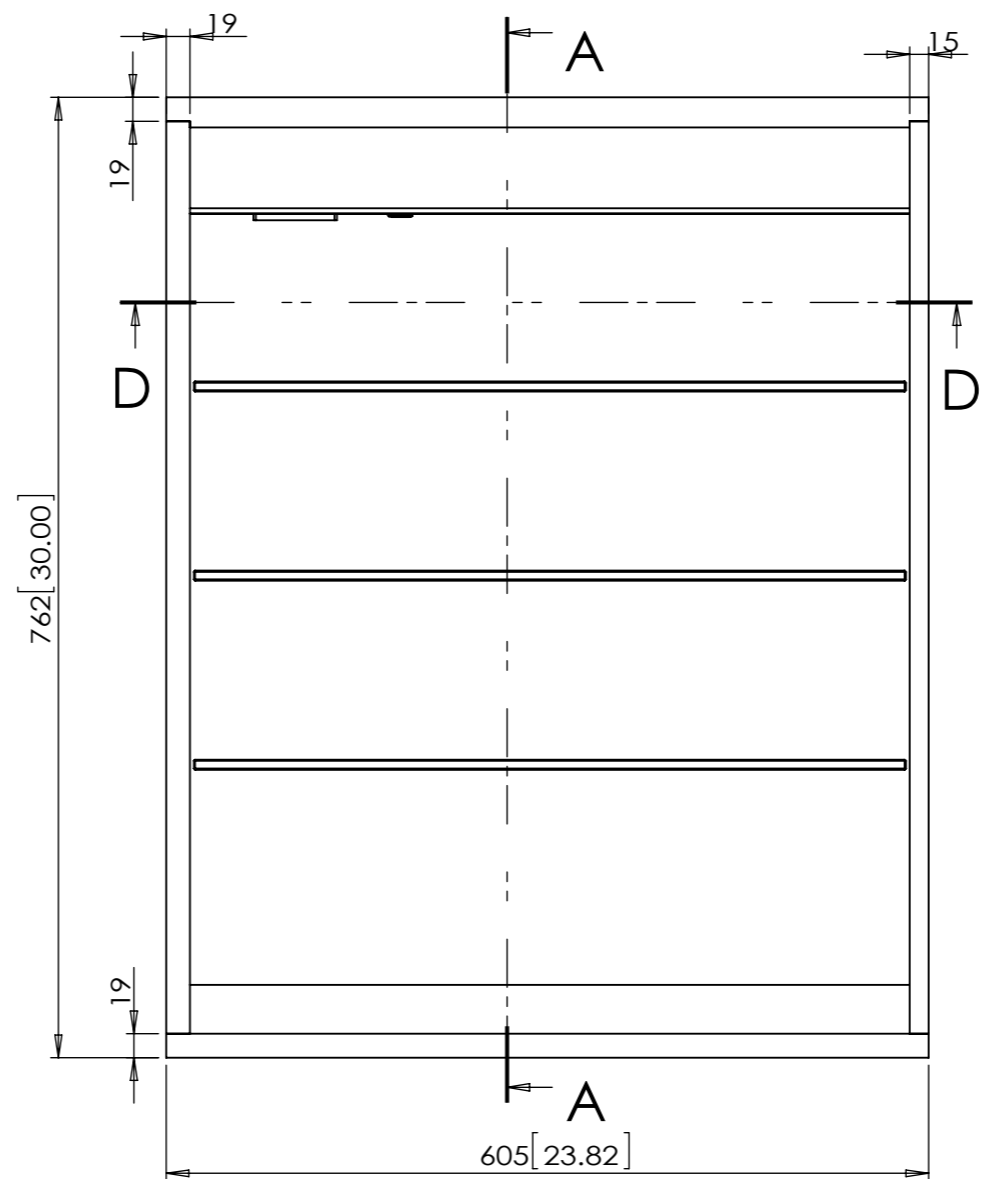
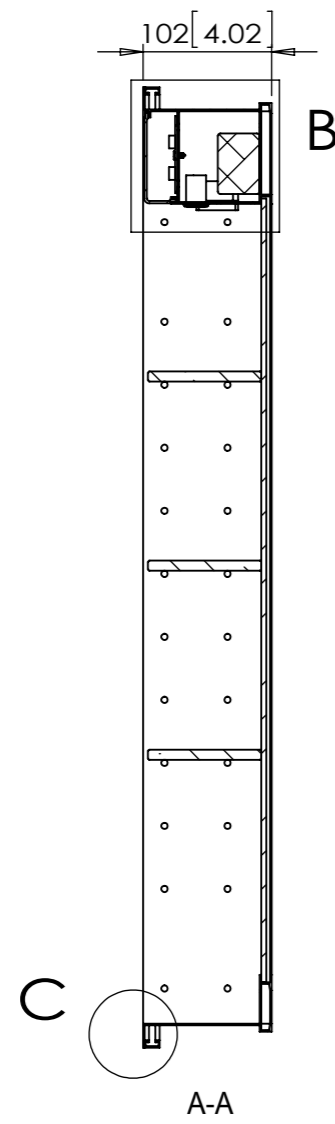
Item XX	Quantity XX	Edited by XX	Approved date XX	Approved by XX
------------	----------------	-----------------	---------------------	-------------------



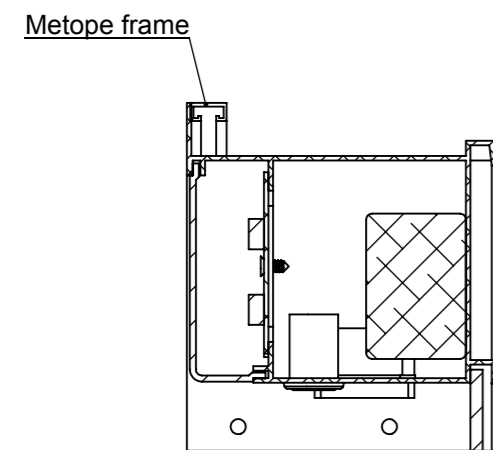
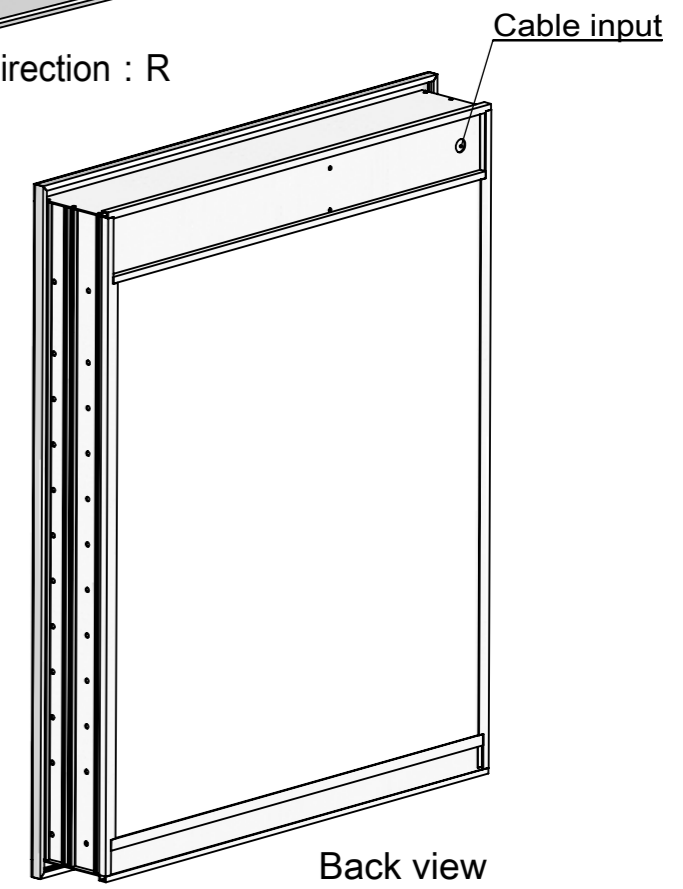
A3

Created by HUGE	Tolerance	Sheet 1(1)	Replaces document	
Designed by	Product #2 Hollywood LED cabinet (2430)		Model no.	 Scale 1:6
			Created date 2016/10/29	
EMPIRE INDUSTRIES INC.				

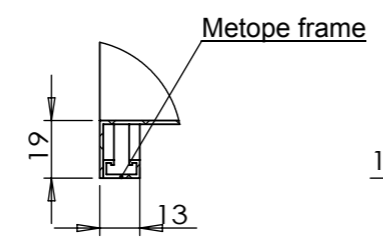
Item XX	Quantity XX	Edited by XX	Approved date XX	Approved by XX
------------	----------------	-----------------	---------------------	-------------------



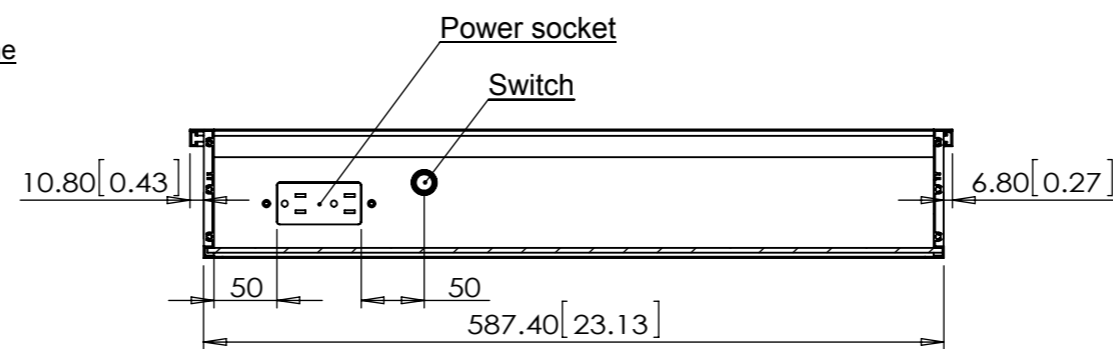
Open the door direction : R



B (2 : 5)



C (2 : 5)

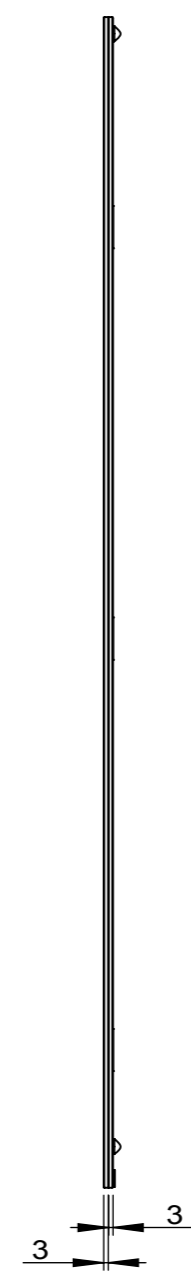
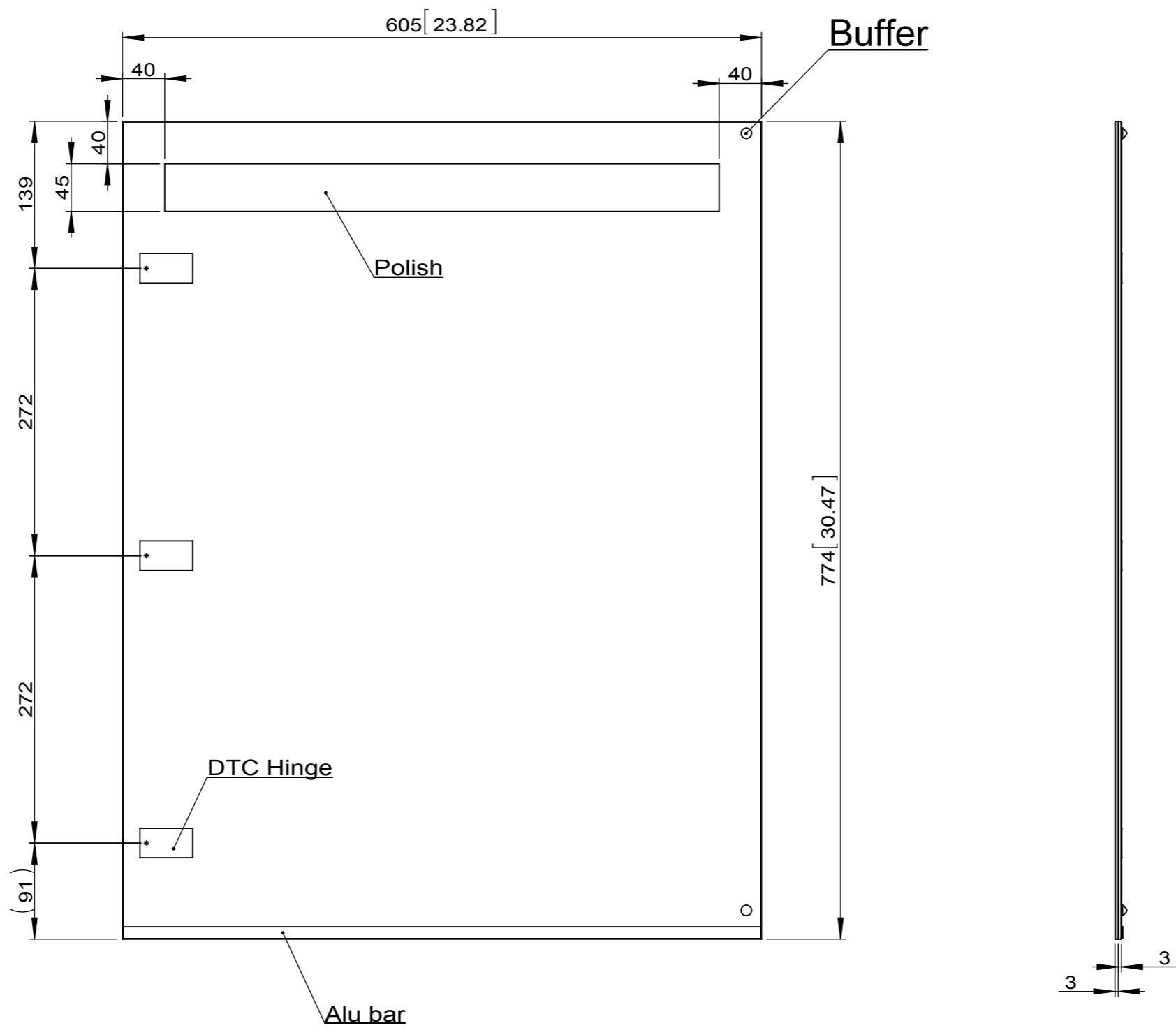


D-D

A3

Created by HUGE	Tolerance	Sheet 1(1)	Replaces document	
Designed by	Product #2 Hollywood LED cabinet Box (2430)		Model no.	
			Created date 2016/10/29	
EMPIRE INDUSTRIES INC.				

Item XX	Quantity XX	Edited by XX	Approved date XX	Approved by XX
------------	----------------	-----------------	---------------------	-------------------



Open the door direction : R

A3

Created by HUGE	Tolerance	Sheet 1(1)	Replaces document	
Designed by	Product #2 Hollywood LED cabinet Door (2430)		Model no.	
			Created date 2016/5/21	Scale 1:5
EMPIRE INDUSTRIES INC.				