

**Grab Bars**



**Features**

- Solid brass construction
- Two-post design
- ADA Compliant

**Codes / Standards Compliance**

Meets or exceeds the following at date of manufacture:

- ADA & ICC/ANSI A117.1
- All applicable US Federal and State material regulations

**Colors / Finishes**

- Polished Chrome
- Polished Nickel
- Satin Nickel
- Other: Refer to the Newport Brass/GINGER catalog for additional color/finish options.



Complete unit shown: (1) 5083 + (1) 920-2400

**Step 1: Select Decorative Rings and Mounting Kit**

Part Number	920-2400	990-2400	1020-2400	1200-2400	1600-2400	2040-2400	2400-2400	2440-2400	2480-2400	2570-2400
Image										

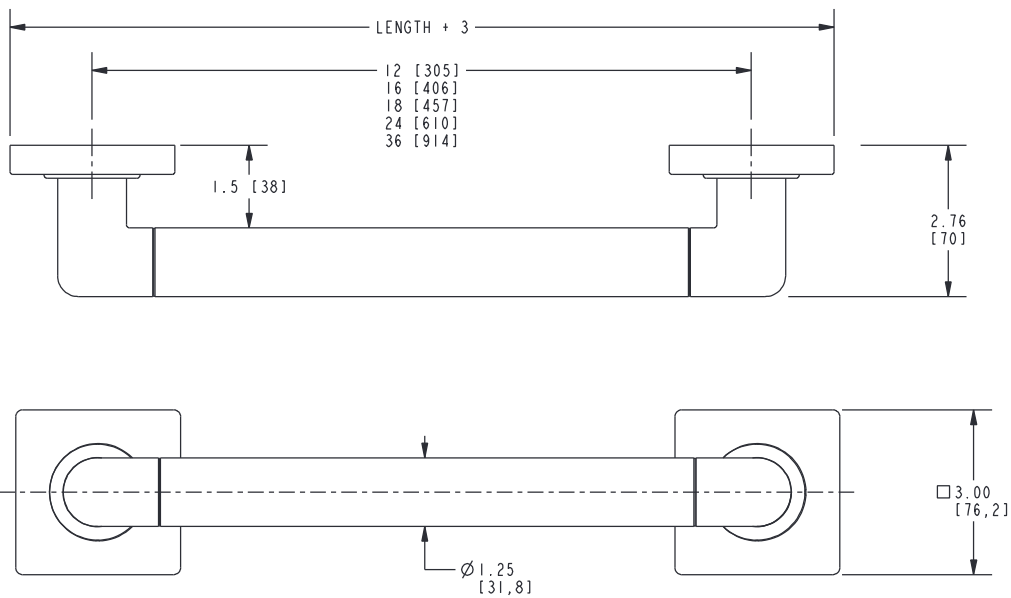
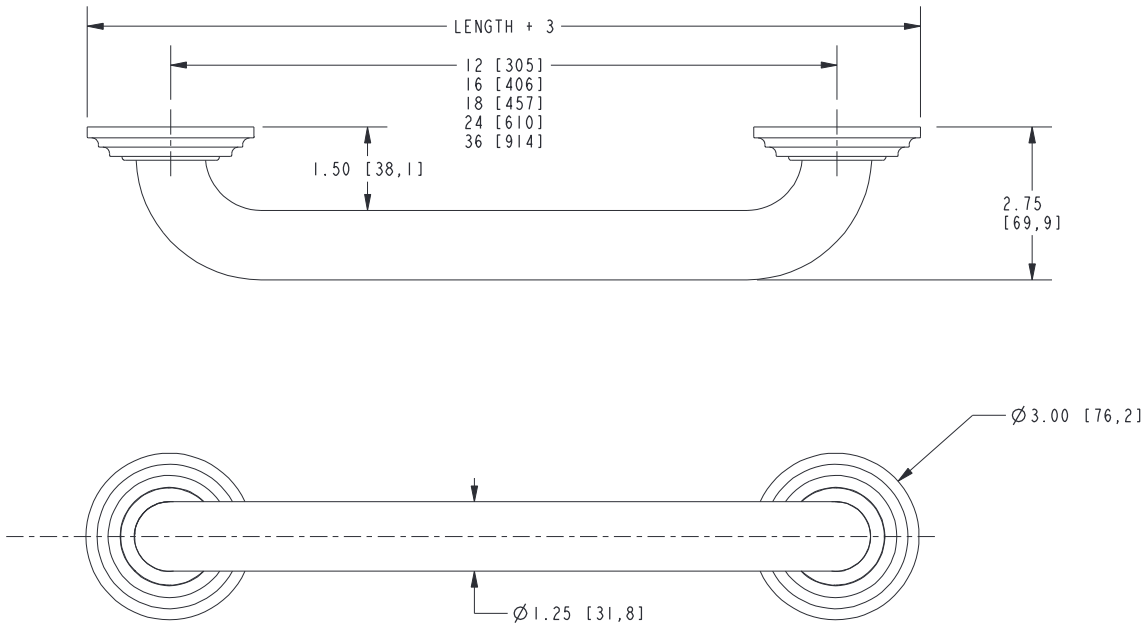
**Step 2: Select Grab Bar Tube**

Model	Description	Image	Model	Description	Image
5080	12" Grab Bar Tube		5080SQ	12" Sq Corner Grab Bar Tube	
5081	16" Grab Bar Tube		5081SQ	16" Sq Corner Grab Bar Tube	
5082	18" Grab Bar Tube		5082SQ	18" Sq Corner Grab Bar Tube	
5083	24" Grab Bar Tube		5083SQ	24" Sq Corner Grab Bar Tube	
5085	36" Grab Bar Tube		5085SQ	36" Sq Corner Grab Bar Tube	

**Product Specification** Add "Color / Finish" suffix to Model number, below.

The Grab Bar shall incorporate a solid brass Grab Bar tube and a coordinating Mounting Kit (specified separately). Grab Bar shall be a GINGER or Newport Brass model 508\_\_\_\_/\_\_\_\_. Required accessory Mounting Kit shall be GINGER or Newport Brass Model \_\_\_\_-2400/\_\_\_\_.

Product Dimensions are provided for reference only. For specific product installation guidelines, please reference the Installation Instructions of the product being installed.



**Grab Bars**

**GINGER NEWPORT BRASS**  
Flawless Beauty. From Faucet to Finish.™