

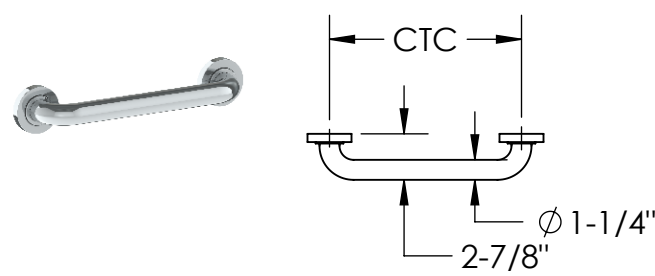
# GB\_ (STRAIGHT)

Wall Mounted Shower Grab Bar, Straight

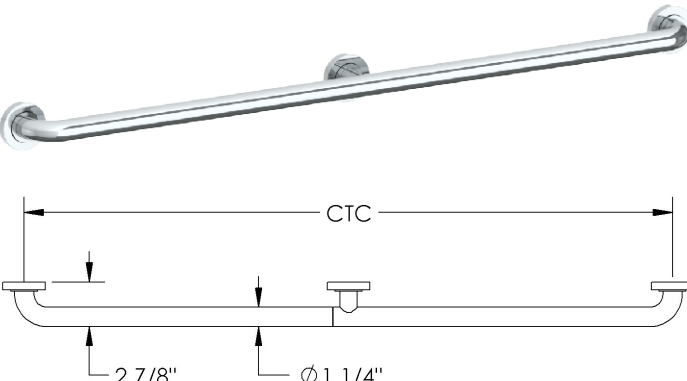
**GB**

Select cover plate design:

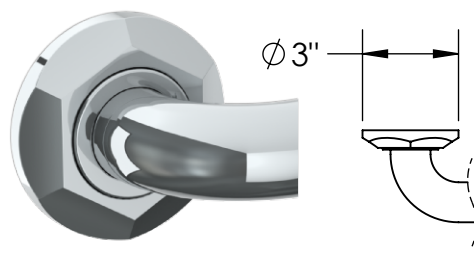
Select size:



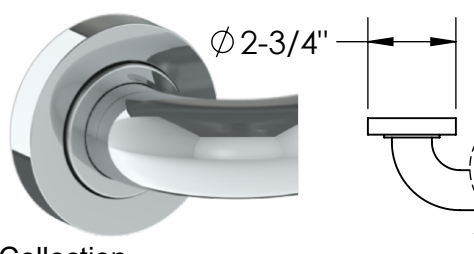
Size	CTC =
<b>GB01</b>	12"
<b>GB02</b>	16"
<b>GB03</b>	18"
<b>GB04</b>	24"
<b>GB05</b>	32"
<b>GB06</b>	36"



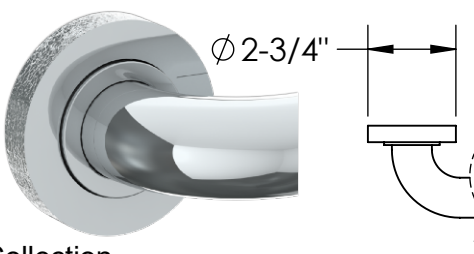
Size	CTC =
<b>GB07</b>	42"
<b>GB08</b>	48"



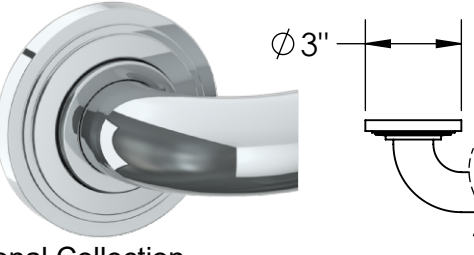
**-BST**  
Gramercy Collection



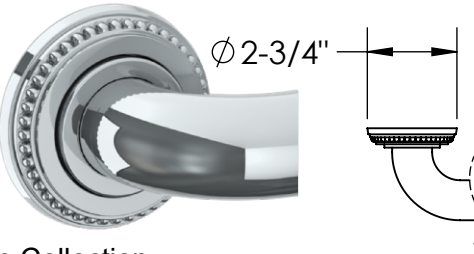
**-LFT**  
Loft 2.0 Collection



**-SEN**  
Sense Collection



**-TRN**  
Transitional Collection



**-VEN**  
Venetian Collection

**NOTES:**

- ADA compliant when located and mounted into a structural support per ADA guidelines.
- The wall mounting plates on the grab bar must be mounted to the wall studs or a brace between the wall studs.

**WATERMARK**

**DESIGNS 7/9/2024**