

# FS412

Harmony 8" Widespread Bathroom Faucet

artos®

## OPERATING SPECIFICATIONS



### OPERATING TEMPERATURE

Maximum: 176°

### OPERATING PRESSURE

Minimum: 15psi

Maximum: 75psi

Recommended: 25psi-70psi

Operating pressures (on hot and cold lines) should be kept as balanced as possible, in order to assure the maximum efficiency

### FLOW RATE

6.1 USGPM

### MATERIAL

Solid Brass

### INSTALLATION DIMENSIONS

Hole Diameter: 1 3/8" X3

Maximum surface thickness: 1 3/4"

### FEATURES

Articulating Aerator

Included Pop-Up Drain

### STANDARDS

To view all standards, please visit product approvals in our learning hub at [artos.us.com](http://artos.us.com)

All technical specifications, product details, and pricing are subject to change without prior notice. Artos makes every effort to ensure accuracy; however, errors or omissions may occur. It is the responsibility of the installer, designer, or purchaser to verify all critical dimensions, installation requirements, and compliance with applicable codes prior to use.

Artos assumes no liability for damages, losses, or injuries resulting from the use of this documentation or from product installation, operation, or maintenance performed outside of Artos instructions and applicable codes. Product warranties are limited to those expressly stated by Artos. Please refer to official warranty documentation for complete terms and conditions.

All drawings, manuals, and specifications are the property of Artos and may not be reproduced, distributed, or altered without prior written permission.

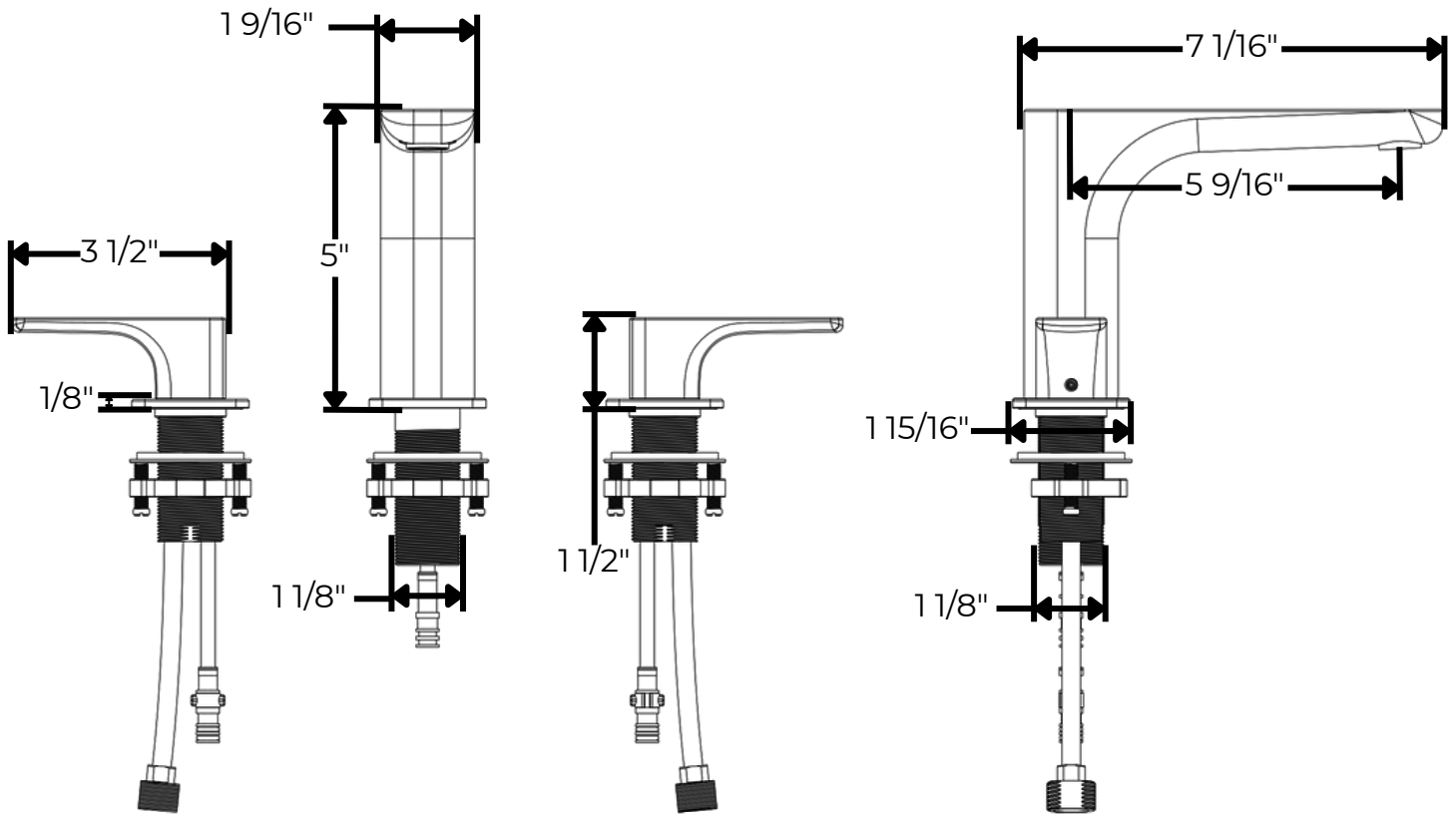
# FS412

Harmony 8" Widespread Bathroom Faucet

artos®

## PRODUCT DIMENSIONS

PRODUCT SKU: FS412



# FS412

Harmony 8" Widespread Bathroom Faucet

artos®

## PRODUCT DIMENSIONS

PRODUCT SKU: F910-12

