

FS411

Classic 3-Hole Deck Mount Tub Filler

artos®

OPERATING SPECIFICATIONS

OPERATING TEMPERATURE

Maximum: 176°

OPERATING PRESSURE

Minimum: 15psi

Maximum: 75psi

Recommended: 25psi-70psi



Operating pressures (on hot and cold lines) should be kept as balanced as possible, in order to assure the maximum efficiency

FLOW RATE

6.1 USGPM

MATERIAL

Solid Brass

INSTALLATION DIMENSIONS

Hole Diameter: 1 3/8" x3

Maximum surface thickness: 2"

FEATURES

Included Pop-Up Drain

STANDARDS

To view all standards, please visit product approvals in our learning hub at artos.us.com



1

WESTOVER, INC

4011 S 60TH ST, OMAHA, NE 68117

WWW.ARTOS.US.COM

T: 402-397-3344

All technical specifications, product details, and pricing are subject to change without prior notice. Artos makes every effort to ensure accuracy; however, errors or omissions may occur. It is the responsibility of the installer, designer, or purchaser to verify all critical dimensions, installation requirements, and compliance with applicable codes prior to use.

Artos assumes no liability for damages, losses, or injuries resulting from the use of this documentation or from product installation, operation, or maintenance performed outside of Artos instructions and applicable codes. Product warranties are limited to those expressly stated by Artos. Please refer to official warranty documentation for complete terms and conditions.

All drawings, manuals, and specifications are the property of Artos and may not be reproduced, distributed, or altered without prior written permission.

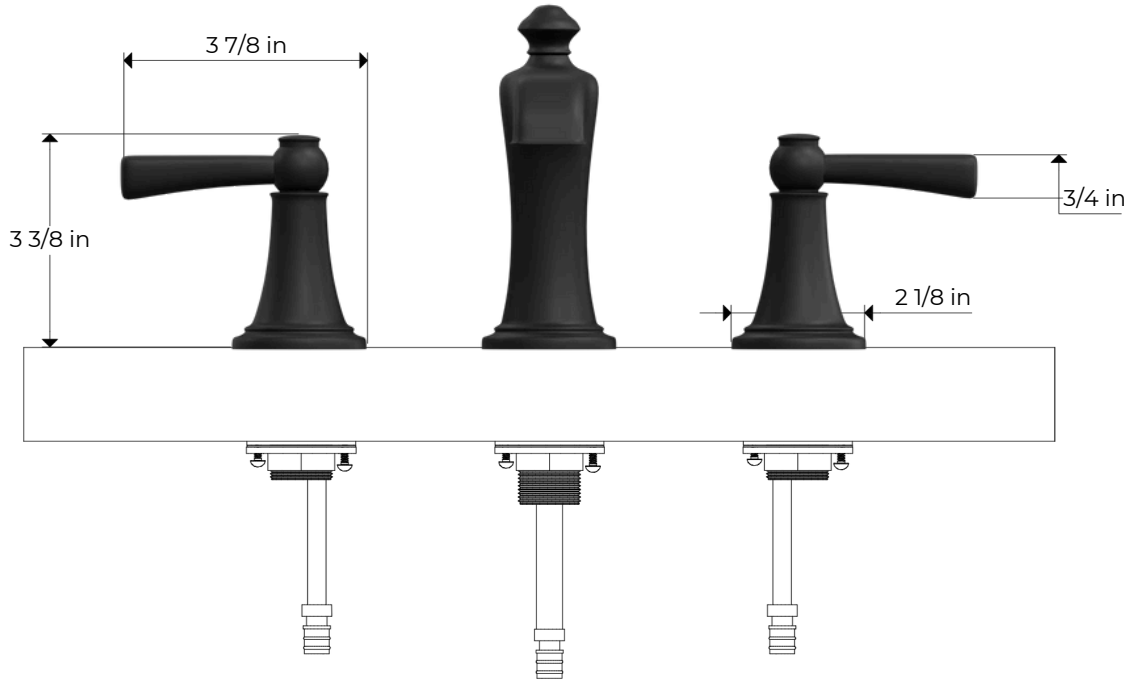
FS411

Classic 3-Hole Deck Mount Tub Filler

artos®

PRODUCT DIMENSIONS

PRODUCT SKU: FS411



FS411

Classic 3-Hole Deck Mount Tub Filler

artos®

PRODUCT DIMENSIONS

PRODUCT SKU: F910-12

