

# FS324

Opera 8" Widespread Bathroom Faucet With  
Arc Spout & Disc Handles

artos®

## OPERATING SPECIFICATIONS



### OPERATING TEMPERATURE

Maximum: 176°

### OPERATING PRESSURE

Minimum: 15psi

Maximum: 75psi

Recommended: 20psi-70psi

Above 90psi, it may be necessary to install a pressure reducer

### FLOW RATE

1.2 USGPM

### INSTALLATION DIMENSIONS

Hole Diameter: 1 1/4" x3

Maximum Surface Thickness: 2"

### FEATURES

Quick Connect Valve Bodies and Umbrella Drain Included

Rotating Spout Design

Multiple Handle Options Included

### STANDARDS

To view all standards, please visit product approvals in our learning hub at [artos.us.com](http://artos.us.com)



All technical specifications, product details, and pricing are subject to change without prior notice. Artos makes every effort to ensure accuracy; however, errors or omissions may occur. It is the responsibility of the installer, designer, or purchaser to verify all critical dimensions, installation requirements, and compliance with applicable codes prior to use.

Artos assumes no liability for damages, losses, or injuries resulting from the use of this documentation or from product installation, operation, or maintenance performed outside of Artos instructions and applicable codes. Product warranties are limited to those expressly stated by Artos. Please refer to official warranty documentation for complete terms and conditions.

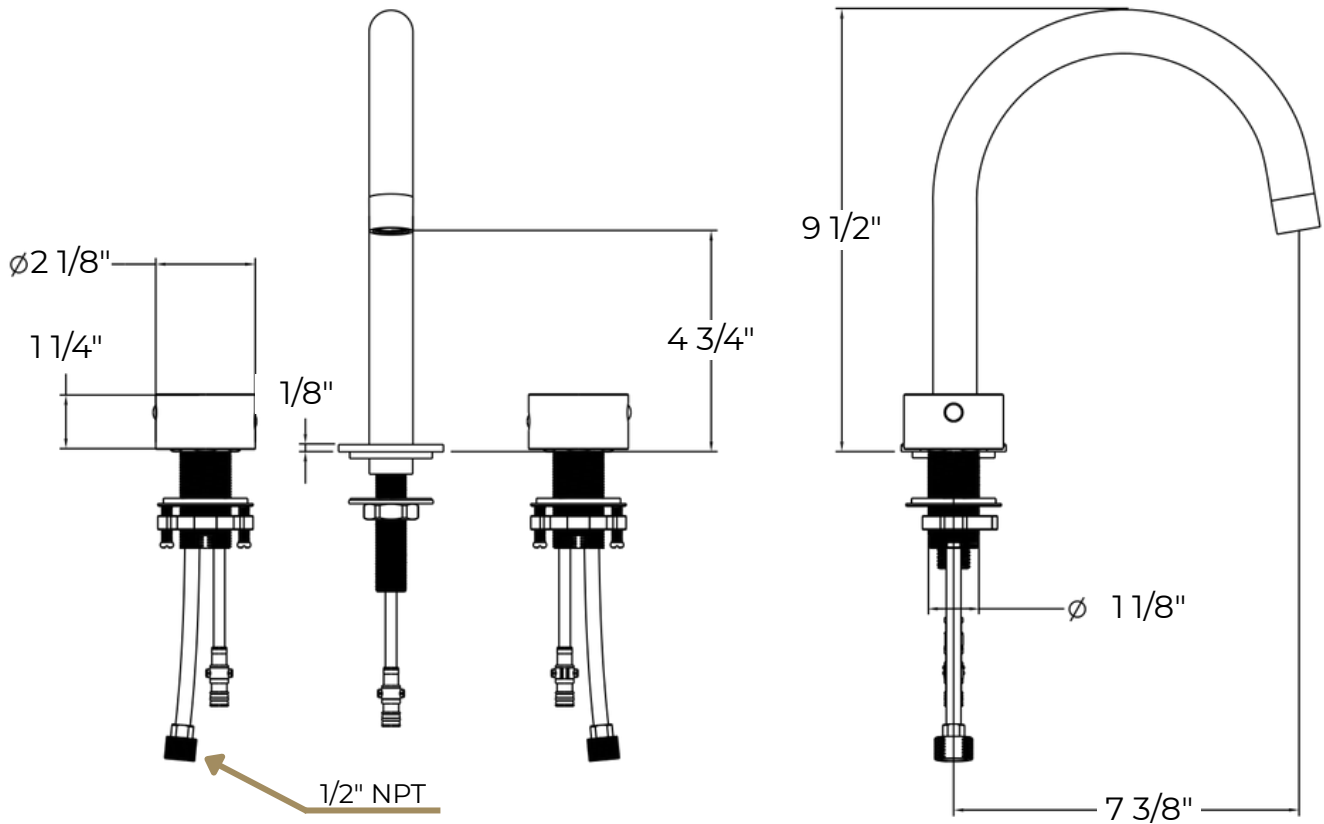
All drawings, manuals, and specifications are the property of Artos and may not be reproduced, distributed, or altered without prior written permission.

# FS324

Opera 8" Widespread Bathroom Faucet With Arc Spout & Disc Handles

artos®

## PRODUCT DIMENSIONS



**NOTE:** Multiple handle options included

