

F924C12

Harmony 12" Rain Shower Head on Ceiling Mount Arm

artos®

OPERATING SPECIFICATIONS



OPERATING TEMPERATURE

Maximum: 176°

OPERATING PRESSURE

Minimum: 15psi

Maximum: 75psi

Recommended: 25psi-70psi

Above 90psi, it may be necessary to install a pressure reducer

FLOW RATE

1.8 USGPM

INLET/OUTLET CONNECTIONS

1/2" NPT

MATERIAL

Solid Brass

REQUIREMENTS

This unit requires a control

FEATURES

Easy Clean Jets

STANDARDS

To view all standards, please visit product approvals in our learning hub at artos.us.com



1

WESTOVER, INC

4011 S 60TH ST, OMAHA, NE 68117

[WWW.ARTOS.US.COM](https://www.artos.us.com)

T: 402-397-3344

All technical specifications, product details, and pricing are subject to change without prior notice. Artos makes every effort to ensure accuracy; however, errors or omissions may occur. It is the responsibility of the installer, designer, or purchaser to verify all critical dimensions, installation requirements, and compliance with applicable codes prior to use.

Artos assumes no liability for damages, losses, or injuries resulting from the use of this documentation or from product installation, operation, or maintenance performed outside of Artos instructions and applicable codes. Product warranties are limited to those expressly stated by Artos. Please refer to official warranty documentation for complete terms and conditions.

All drawings, manuals, and specifications are the property of Artos and may not be reproduced, distributed, or altered without prior written permission.

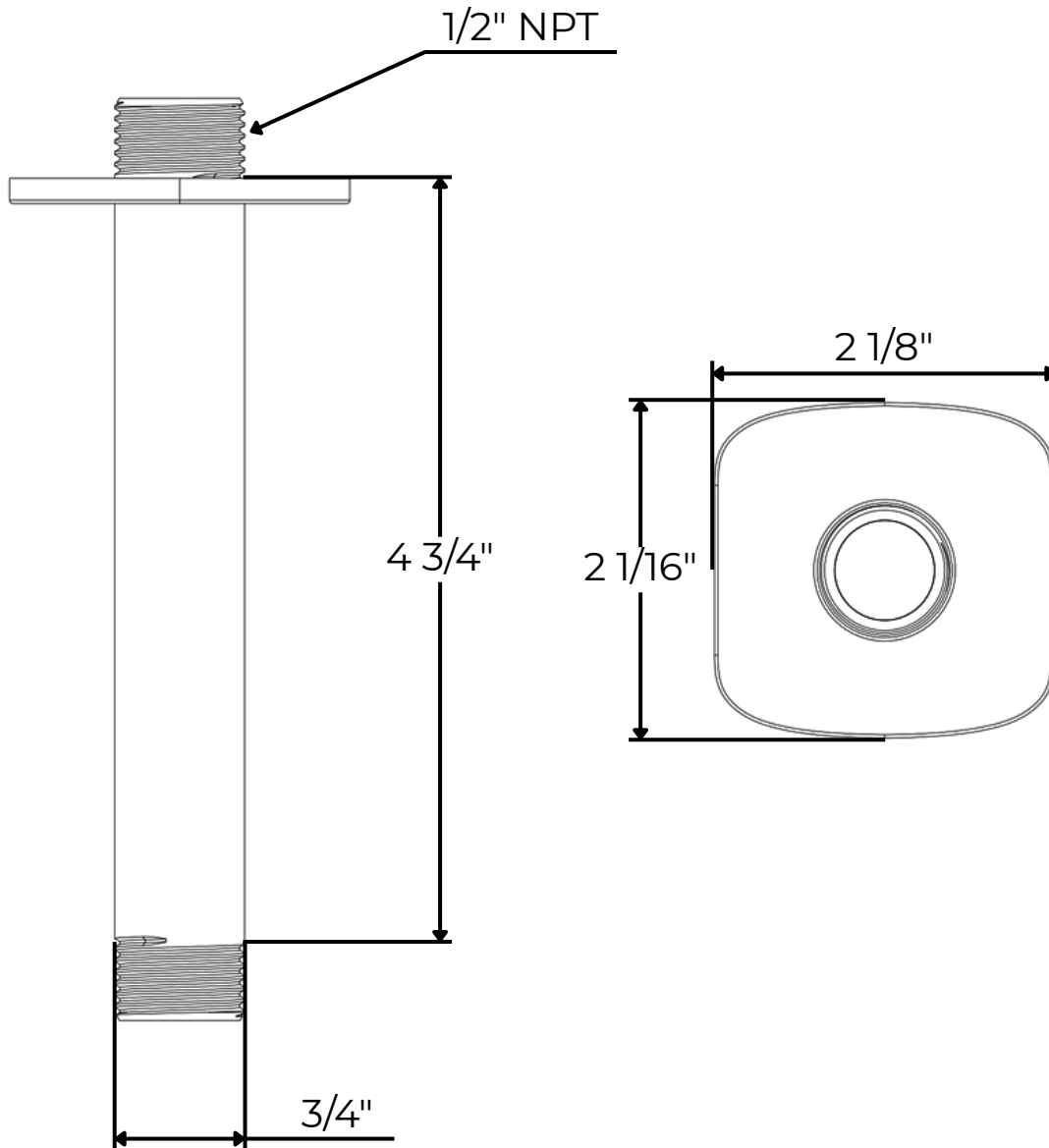
F924C12

artos®

Harmony 12" Rain Shower Head on Ceiling Mount Arm

PRODUCT DIMENSIONS

PRODUCT SKU: F902-3TR



F924C12

Harmony 12" Rain Shower Head on Ceiling
Mount Arm

artos®

PRODUCT DIMENSIONS

PRODUCT SKU: F901-10

