

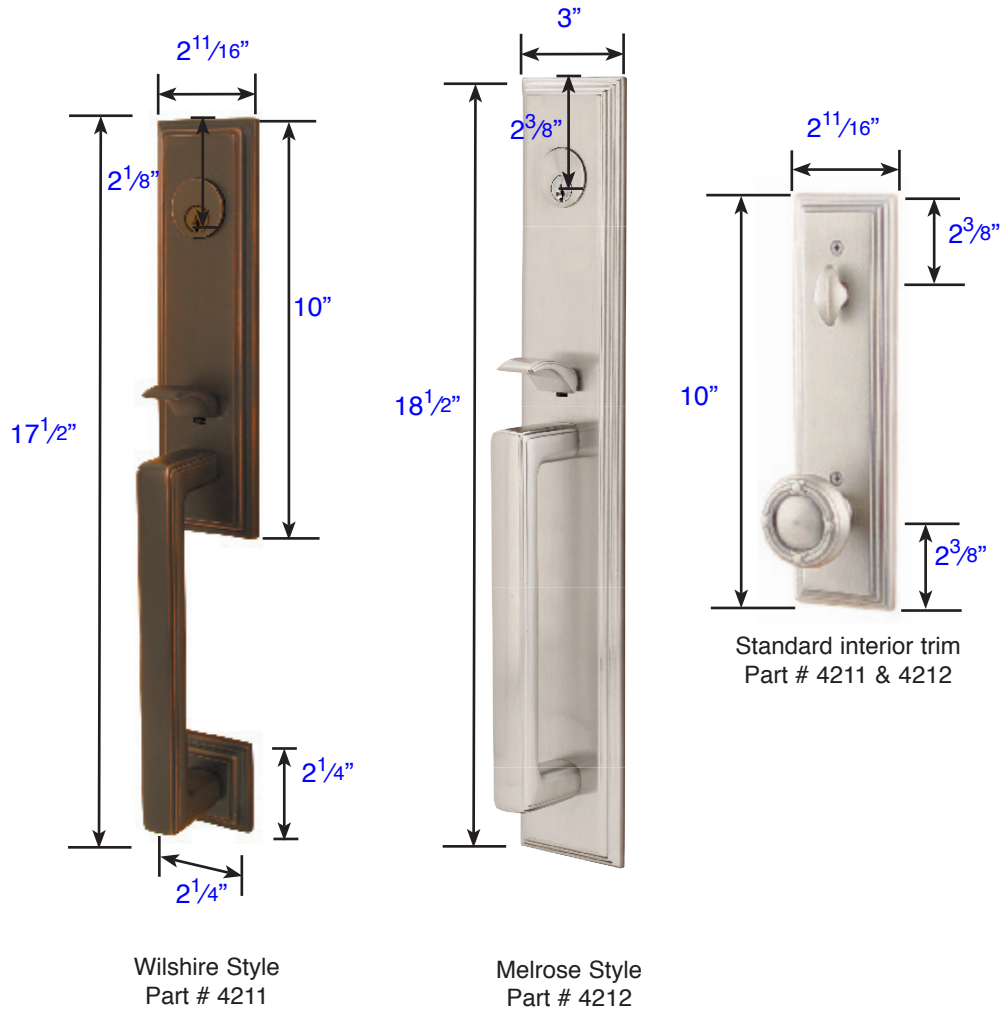
Standard interior trim
Part # 4213

Hamden Style
Part # 4213

Additional Dimensions: (Part # 4213)

- Exterior Projection is $2\frac{5}{8}$ "
- Interior Projection Depends on Handle Style
- Overall Grip thickness: 1"
- Clearance between door & grip is $1\frac{3}{8}$ "
- Plates thickness: $\frac{1}{2}$ "

*Same Dimensions for
Double Cylinder & Dummy Function*



Additional Dimensions: (Part # 4211 & 4212)

- Exterior Projection is 2⁵/₈"
- Interior Projection Depends on Handle Style
- Overall Grip thickness: 1"
- Clearance between door & grip is 1³/₈"
- Plates thickness: 1/2"

*Same Dimensions for
 Double Cylinder & Dummy Function*