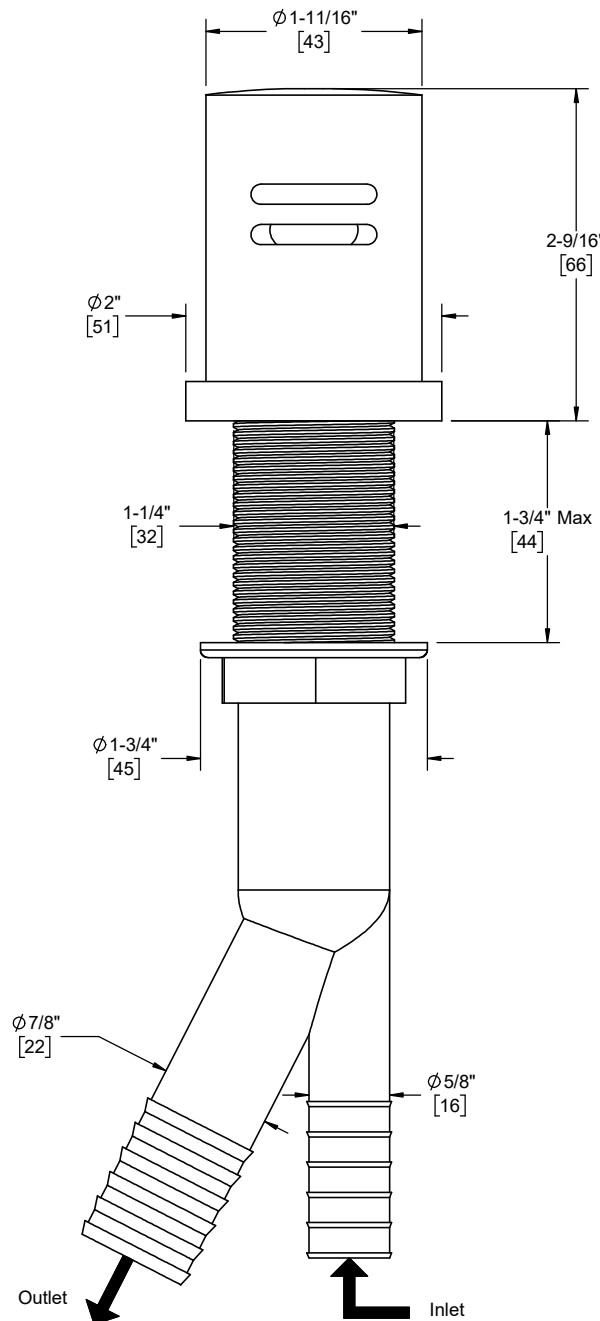




Features

- 7 artisan finishes including 4 PVD finishes
- 316 stainless steel construction
- Excellent corrosion resistance, for indoor or outdoor use
- Includes air gap rough



Through-Hole Specifications		
Min	Recommended	Max
$\phi 1-1/4"$ [32]	$\phi 1-3/8"$ [35]	$\phi 1-3/8"$ [35]