

## Contempo Single Hole Sensor Faucet

**Model #: 884-ESF-**



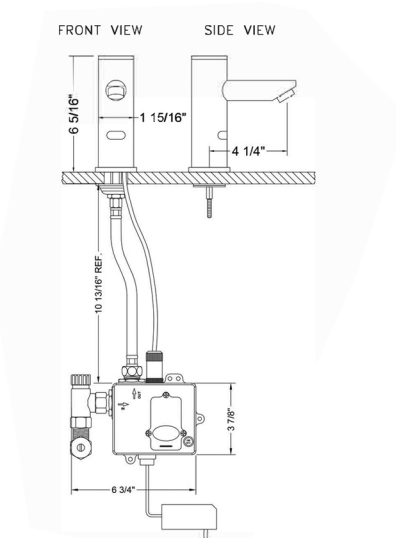
### FEATURES:

- Contempo lavatory single hole sensor faucet
- 0.5 GPM
- 30 second on/off run time-shutoff
- Spout reach: 4 1/4", Spout height: 4 1/2"
- Drain sold separately
- All brass stationary spout
- ADA Compliant
- Includes control module, batteries, and AC power adapter
- Battery life 500,000 cycles, also has a low battery indicator
- Requires a separate mixing valve (JACLO's mixing valve: J-TP603)
- For renovations & conversions: Add a 8-CPLATE to 8" widespread faucet or 4-CPLATE for centerset

### AVAILABLE FINISHES:

Polished Chrome (PCH)	Satin Chrome (SC)	Bronze Umber (BU)
Satin Nickel (SN)	Pewter (PEW)	Caramel Bronze (CB)
Polished Nickel (PN)	Antique Brass (AB)	Antique Copper (ACU)
Oil-Rubbed Bronze (ORB)	Vintage Bronze (VB)	Satin Brass (SB)
Matte Black (MBK)	Satin Gold (SG)	White (WH)
Unlacquered Brass (ULB)	Satin Cooper (SCU)	Almond (ALD)
Amber (AMB)	Azure Blue (AZB)	Coral (COR)
Mint Green (GRN)	Stone Grey (GRY)	Lilac (LAC)
Light Blue (LBL)	Limon (LIM)	Plum (PLM)
Pink (PNK)	Red (RED)	Graphite (GPH)
Aged Unlacquered Brass (AUB)		

### SPECIFICATION DRAWING:



### COMPLIANCES:



CEC