



### Features

- 25+ artisan finishes including 10+ PVD finishes
- All brass construction
- Spout has easy Quick Connect fitting
- 16 gpm (60.6 L/min) max flow rate
- Comes as complete set with trim and valves

- |            |          |
|------------|----------|
| 6008       | 6008-OP  |
| 6008X      | 6008-YP  |
| 6008X-MIDX | 6008-BP  |
| 6008-WP    | 6008-ADC |
| 6008-PP    | 6008-RD  |

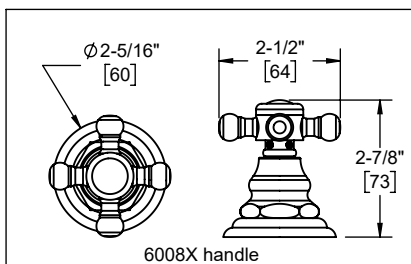
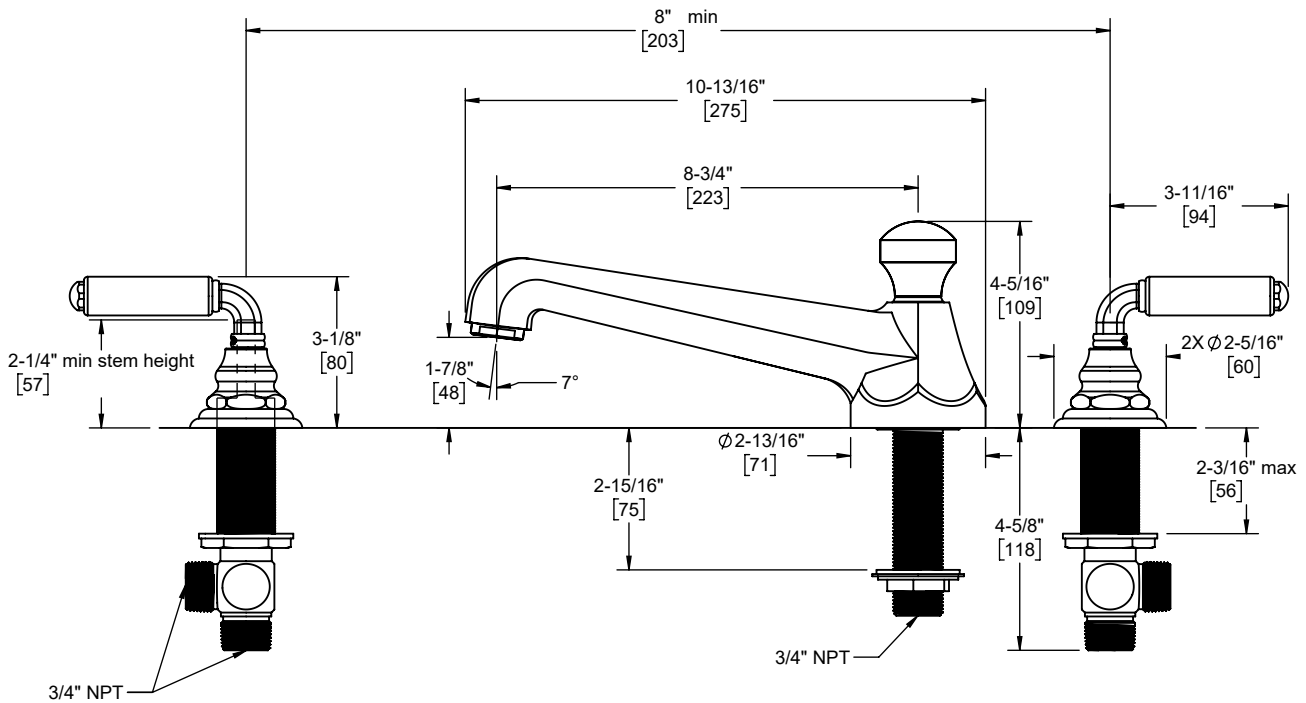
### Codes/Standards Applicable

Product meets or exceeds the following:

- ASME A112.18.1/CSA B125.1
- ADA compliant
- Installation of upstream tempering device may be required (verify local codes)



6008 shown



6008X handle

Specifications subject to change without notice

Through-Hole Specifications			
	Min	Recommended	Max
Spout:	$\phi$ 1" [25]	$\phi$ 1-3/8" [35]	$\phi$ 1-5/8" [41]
Valve:	$\phi$ 1-1/4" [32]	$\phi$ 1-3/8" [35]	$\phi$ 1-5/8" [41]

Dimensions are inches, rounded to 1/16"  
[Dimensions in brackets are mm, rounded to 1mm]