



California Faucets®

Del Mar™

Single Hole Lavatory / Vessel / Bar Faucet

Features

- 25+ artisan finishes including 10+ PVD finishes
- All brass construction
- Single handle operation cartridge with ceramic disc
- Flexible braided hoses for ease of installation
- 1.2gpm (4.5 L/min) max flow rate

Codes/Standards Applicable

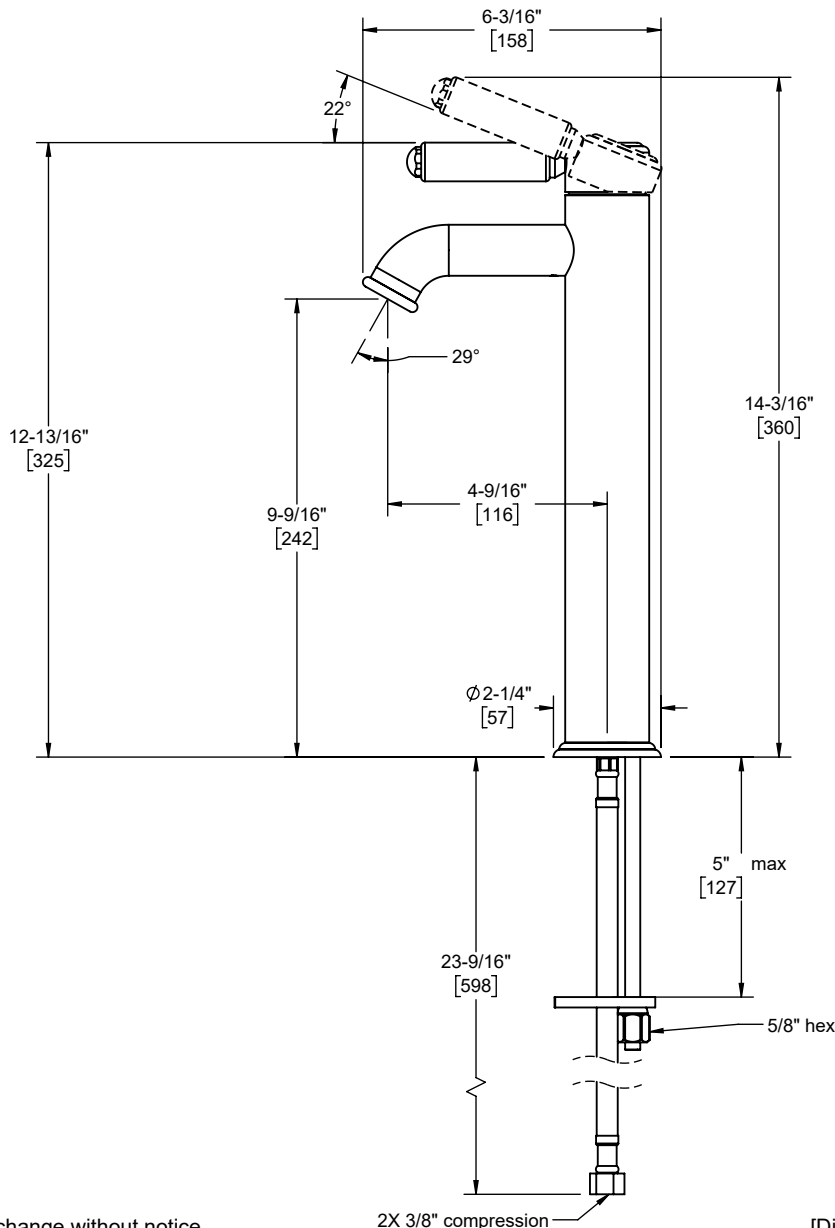
Product meets or exceeds the following:

- ASME A112.18.1/CSA B125.1
- NSF 61, NSF 372, CEC & DOE
- EPA WaterSense
- Commonwealth of MA
- ADA compliant



6001-2-SN shown

- 6001-2
- 6001-2-WP
- 6001-2-PP
- 6001-2-OP
- 6001-2-YP
- 6001-2-BP
- 6001-2-ADC
- 6001-2-RD



Through-Hole Specifications		
Min	Recommended	Max
Spout: \varnothing 1-1/4" [32]	\varnothing 1-3/8" [35]	\varnothing 1-9/16" [40]

Dimensions are inches, rounded to 1/16"
[Dimensions in brackets are mm, rounded to 1mm]

Specifications subject to change without notice