

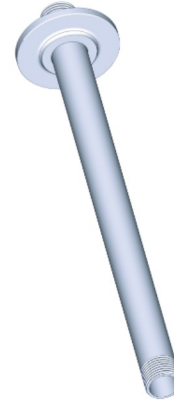
## SPECIFICATIONS

### DESCRIPTION

- 1/2" inlet male NPT

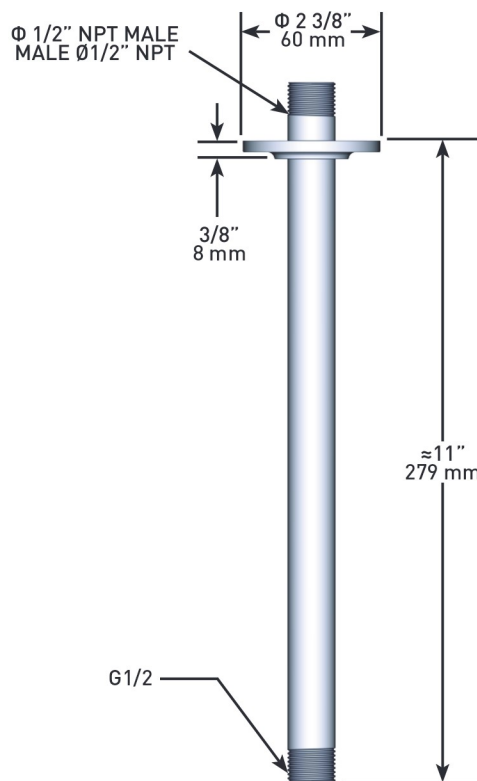
### WARRANTY

- Most products or parts carry "Limited Warranties" against manufacturing defects. For US customers please visit [houseofrohl.com/support](http://houseofrohl.com/support) and for Canadian customers please visit [houseofrohl.ca/support](http://houseofrohl.ca/support) for complete product and finish warranty.



12" shower arm

**MODELS:** 586 SERIES



For warranty or additional information, contact:

U.S.A.  
[houseofrohl.com/support](http://houseofrohl.com/support)  
 1-800-777-9762

QUEBEC / MARITIMES / WESTERN CANADA  
 QUÉBEC / MARITIMES / OUEST CANADIEN  
 QUEBEC / MARITIMOS / CANADA OCCIDENTAL  
[houseofrohl.ca/support](http://houseofrohl.ca/support)  
 1-866-473-8442

ONTARIO  
[houseofrohl.ca/support](http://houseofrohl.ca/support)  
 1-800-287-5354