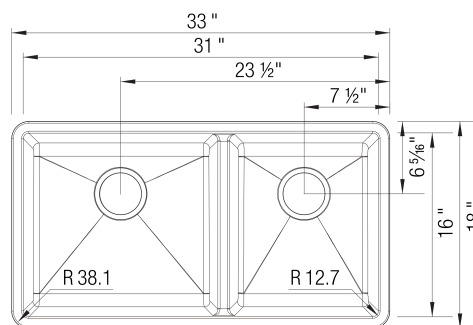




## Sink Specifications

Color	SKU
White	441125
Anthracite	441128
Café	441129
Metallic Gray	441130
Truffle	441296
Cinder	441479
Coal Black	442926
Volcano Gray	443118
Soft White	443081

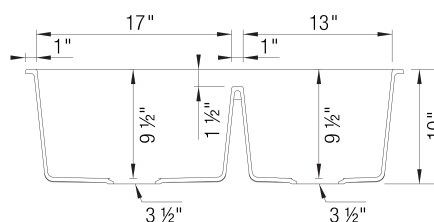
## PRECIS 1<sup>3</sup>/<sub>4</sub> SILGRANIT



## Design and Planning Tips

- Min cabinet size: 36 in

What is included:  
Installation instructions, Cut-out template, Limited Lifetime Warranty

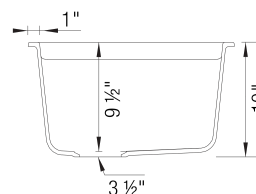


## Codes & Standards

CSA B45.8-18/ IAPMO Z403-2018

## Optional Accessories

Sink Grid	516364
Sink Grid	516366
Sink Grid	233542
CapFlow Strainer Cover	517666
Undermount Clips	440851



## Warranty

BLANCO offers a limited lifetime warranty on all sinks and faucets, as well as a one-year warranty on all custom accessories.

## Code/Standards Compliance

BLANCO sinks and faucets are third-party tested and certified to standards and listed by applicable certification bodies. For more information on individual product listings, contact our office or listing organization.



View our how-to videos to learn more about installing and caring for BLANCO products:  
<https://www.blanco.com/us-en/service/how-to-videos/how-to-videos-for-sinks/>

Questions? Contact us today



BLANCO America, Inc.  
110 Mount Holly By-Pass  
Lumberton, NJ 08048

Phone & Fax  
Phone: 888-668-6201  
Fax: 609-668-6211

While BLANCO endeavors to provide accurate information, all dimensions are nominal, cannot be guaranteed, and are subject to change or cancellation. BLANCO assumes no responsibility for use of superseded or voided specifications.