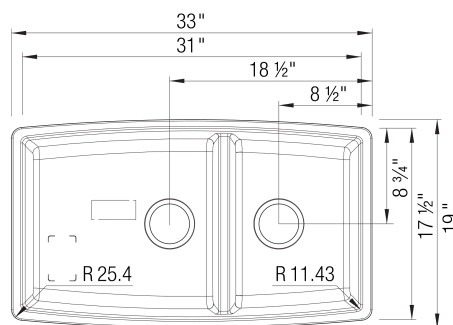




## Sink Specifications

Color	SKU
Truffle	441315
Metallic Gray	441309
White	441310
Anthracite	441312
Café	441313
Cinder	441474
Coal Black	442939
Soft White	443088
Volcano Gray	443125

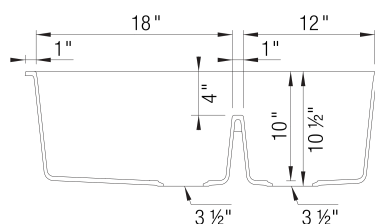
## PERFORMA 1<sup>3</sup>/<sub>4</sub> Low Divide SILGRANIT



## Design and Planning Tips

- Min cabinet size: 36 in

What is included:  
Installation instructions, Cut-out template, Limited  
Lifetime Warranty

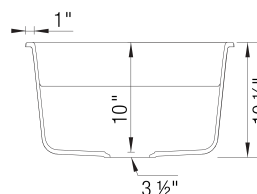


## Codes & Standards

CSA B45.8-18/ IAPMO Z403-2018

## Optional Accessories

Walnut Wood Cutting Board	227346
Sink Grid	226828
Sink Grid	226830
CapFlow Strainer Cover	517666
Undermount Clips	440851



## Warranty

BLANCO offers a limited lifetime warranty on all sinks and faucets, as well as a one-year warranty on all custom accessories.

## Code/Standards Compliance

BLANCO sinks and faucets are third-party tested and certified to standards and listed by applicable certification bodies. For more information on individual product listings, contact our office or listing organization.



View our how-to videos to learn more about installing and caring for BLANCO products:  
<https://www.blanco.com/us-en/service/how-to-videos/how-to-videos-for-sinks/>

Questions? Contact us today



BLANCO America, Inc.  
110 Mount Holly By-Pass  
Lumberton, NJ 08048

Phone & Fax  
Phone: 888-668-6201  
Fax: 609-668-6211

While BLANCO endeavors to provide accurate information, all dimensions are nominal, cannot be guaranteed, and are subject to change or cancellation. BLANCO assumes no responsibility for use of superseded or voided specifications.