



California Faucets®

Coronado™

Single Hole Lavatory / Vessel / Bar Faucet

Features

- 25+ artisan finishes including 10+ PVD finishes
- All brass construction
- Single handle operation cartridge with ceramic disc
- Flexible braided hoses for ease of installation
- 1.2gpm (4.5 L/min) max flow rate

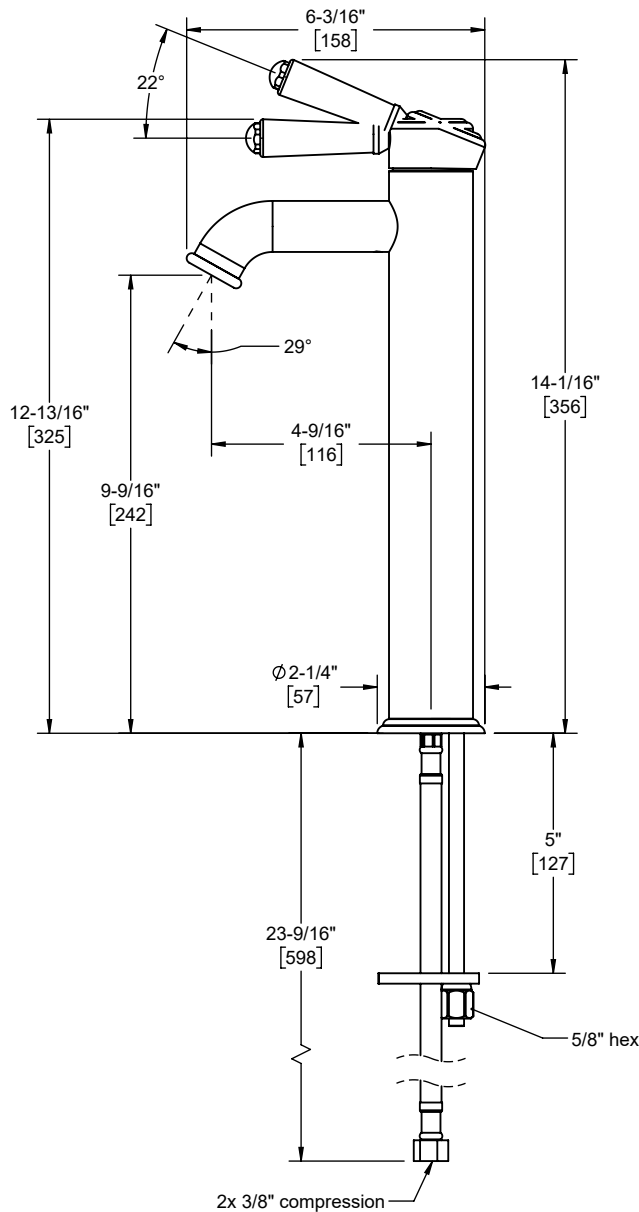
5601-2
5601-2-WP



Codes/Standards Applicable

Product meets or exceeds the following:

- ASME A112.18.1/CSA B125.1
- NSF 61, NSF 372, CEC & DOE
- EPA WaterSense
- Commonwealth of MA
- ADA compliant



Through-Hole Specifications			
	Min	Recommended	Max
Spout:	Φ 1-1/4" [32]	Φ 1-3/8" [35]	Φ 1-5/8" [41]

Dimensions are inches, rounded to 1/16"
[Dimensions in brackets are mm, rounded to 1mm]

Specifications subject to change without notice