

# TUB DOCKING STATION

Cat. No.  
5598ITD-XX

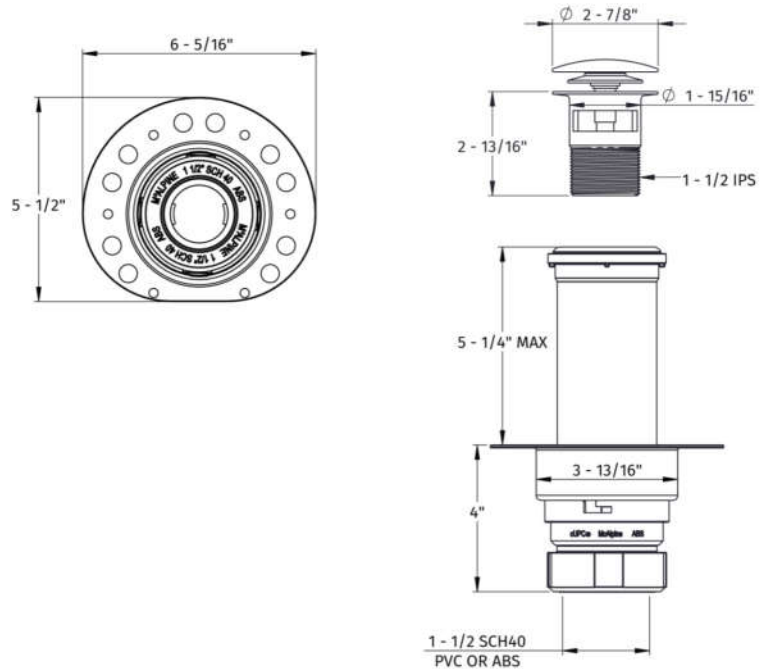


## Features:

- ▶ Simplifies installation of freestanding tubs
- ▶ Includes snakeable ez-click tub drain
- ▶ Fits minimum tub thickness 1-1/4", maximum thickness 2"
- ▶ Fits 2" diameter drain hole
- ▶ Asymmetric mounting plate allows for flexibility when installing in constrained spaces
- ▶ Allows for drain to be removed without removing the tub
- ▶ No access panel required
- ▶ Includes 1-1/2" socket adapters for both PVC and ABS SCH40 pipe
- ▶ Not for use with liquid applied or sheet membranes
- ▶ Must be installed in a dry area with no potential of water contact

## Finishes:

<b>BN</b>	Brushed Nickel	<b>ORB</b>	Oil Rubbed Bronze
<b>CP</b>	Polished Chrome	<b>WH</b>	White
<b>PN</b>	Polished Nickel	<b>MB</b>	Matte Black



Dimensions and specifications subject to change without notice.

06/20/2023

P 847•244•1234

www.barclayproducts.com