

# 3-1/2" GARBAGE DISPOSAL FLANGE

Cat. No.  
5583D-XX



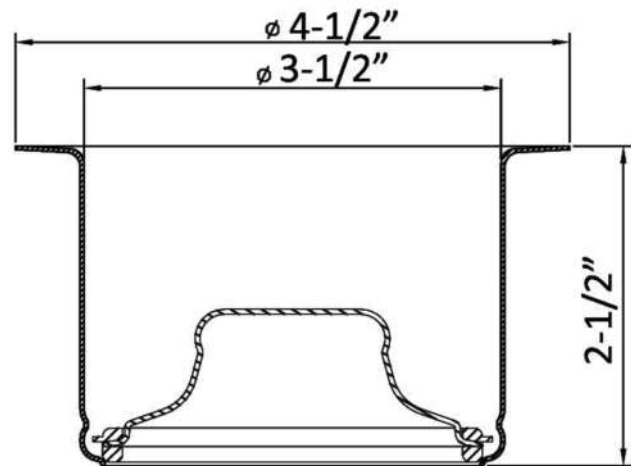
Top-View

## Features:

- ▶ 3-1/2" deep garbage disposal flange and stopper
- ▶ Brass construction
- ▶ The Black and White finishes are made by powder coating
- ▶ The rest of the finishes are electroplated
- ▶ Fits standard 3-1/2" drain opening
- ▶ Installation from above sink
- ▶ Available in 7 finishes

## Finishes:

<b>CP</b>	Chrome
<b>PB</b>	Polished Brass
<b>BN</b>	Brushed Nickel
<b>PN</b>	Polished Nickel
<b>ORB</b>	Oil Rubbed Bronze
<b>WH</b>	White
<b>BL</b>	Black



Dimensions and specifications subject to change without notice.