

LAVATORY SUPPLY KIT W/TRAP

Cat. No.
5544

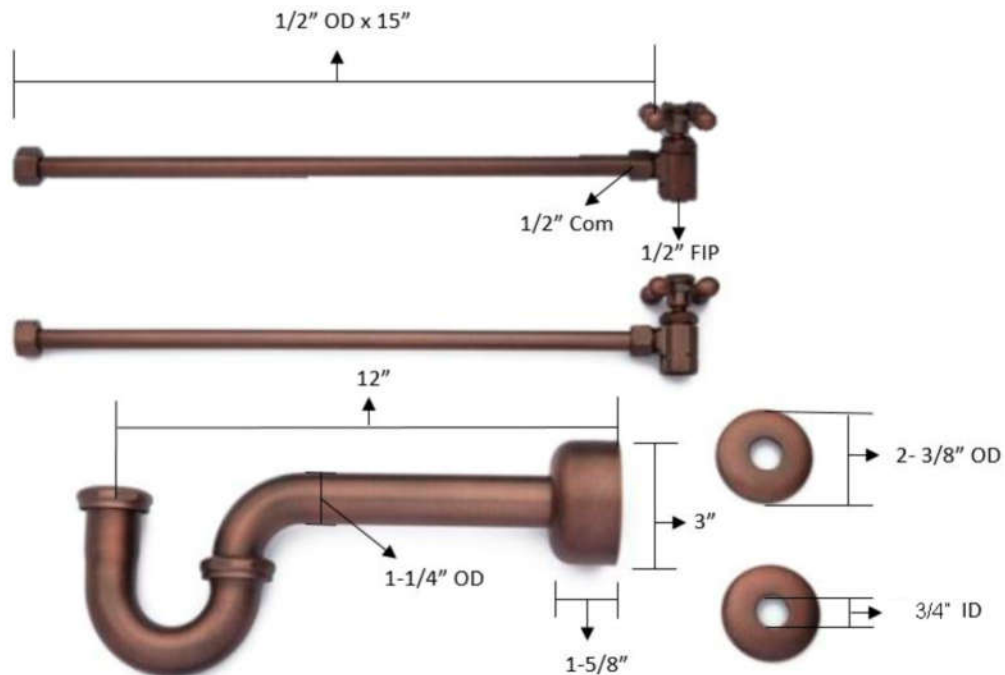


Features:

- ▶ Includes two 1/2" x 16" smooth and bendable supply tubes
- ▶ Includes two 1/2" OD x 1/2" FIP angle valves
- ▶ Includes flanges with an inner diameter of 3/4"
- ▶ Includes 13" x 1-1/4" P-trap
- ▶ Includes 3 escutcheons
- ▶ Compression outlets measure 1/2"
- ▶ Available in 5 finishes

Finishes:

- CP** Polished Chrome
- PN** Polished Nickel
- BN** Brushed Nickel
- ORB** Oil Rubbed Bronze
- PB** Polished Brass



Dimensions and specifications subject to change without notice.