

KYAN OVAL CONCRETE VESSEL

Cat. No
5-308



W: 20"
D: 15"
H: 6-1/4"



Maintenance Kit

Interior Dimensions:

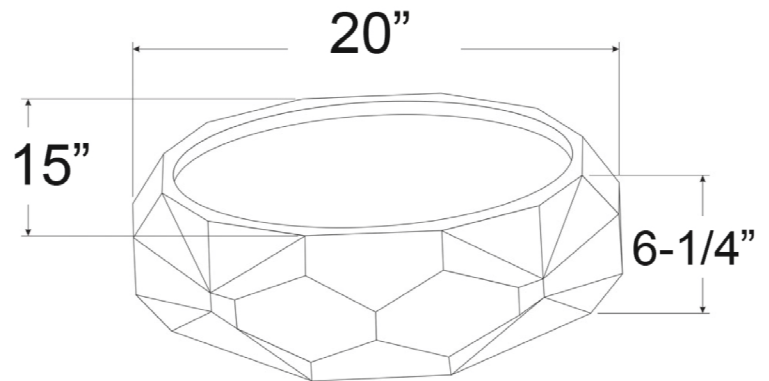
Interior Diameter: 15-3/8" x 9-3/4"
Basin Depth: 4-1/4"
Drain: 1-3/4"

Features:

- ▶ Seamless concrete construction
- ▶ Above counter basin
- ▶ Mold casted basin is finished by hand
- ▶ No faucet holes
- ▶ Maintenance Kit included
- ▶ 1" Rim
- ▶ No overflow
- ▶ Available in 6 colors
- ▶ To be used with Grid Drain # 5610

Colors:

CGC Copper Green	CTB Terrazzo Black
CDG Dusk Gray	CLG Light Gray
VBC Vintage Brown	CDRG Dark Gray



Dimensions of fixture are nominal and may vary slightly. Dimensions and specifications subject to change without notice.