

## SPECIFICATIONS

### DESCRIPTION

- Scale-free
- 150 cm (59") double interlock flexible hose, swivel and 2 check valves
- Ø22 mm (7/8") slide bar
- 3-jet hand shower
- Easy-Glide left cursor

### FLOW

- 6.7 L/min, 1.8 gpm (US) 60psi

### STANDARDS

- CSA B125.1 / ASME A112.18.1

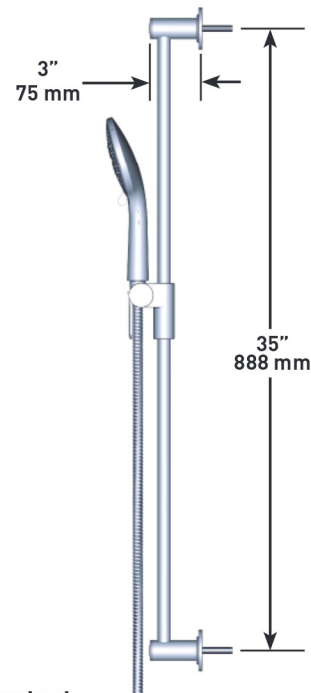
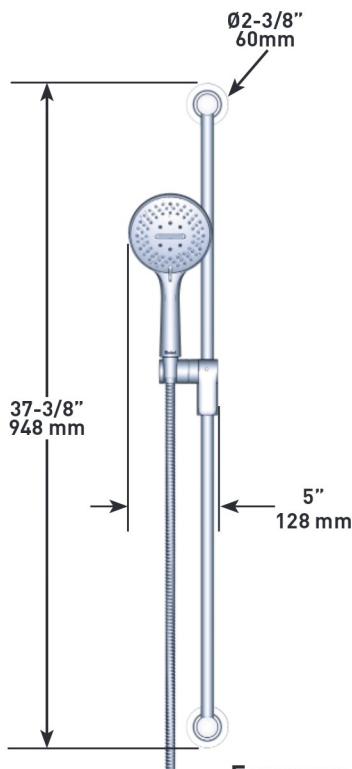
### WARRANTY

- Most products or parts carry "Limited Warranties" against manufacturing defects. For US customers please visit [houseofrohl.com/support](http://houseofrohl.com/support) and for Canadian customers please visit [houseofrohl.ca/support](http://houseofrohl.ca/support) for complete product and finish warranty.



Hand shower rail

**MODELS:** 4871 SERIES



For warranty or additional information, contact:

U.S.A.  
[houseofrohl.com/support](http://houseofrohl.com/support)  
 1-800-777-9762

QUEBEC / MARITIMES / WESTERN CANADA  
 QUÉBEC / MARITIMES / OUEST CANADIEN  
 QUEBEC / MARITIMOS / CANADA OCCIDENTAL  
[houseofrohl.ca/support](http://houseofrohl.ca/support)  
 1-866-473-8442

ONTARIO  
[houseofrohl.ca/support](http://houseofrohl.ca/support)  
 1-800-287-5354