

AXOR One
Single-Hole Faucet 70, 1.2 GPM, without Pop-up Drain
Finish: **Chrome** Part no. : **48001001**



Features

- handle design: lever handle
- Spray pattern: Aerated spray
- Maximum flow rate: 1.2 GPM
- ceramic cartridge

Item details

List Price \$ 828.00

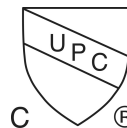
Technology



Design awards



Compliance / Sustainability



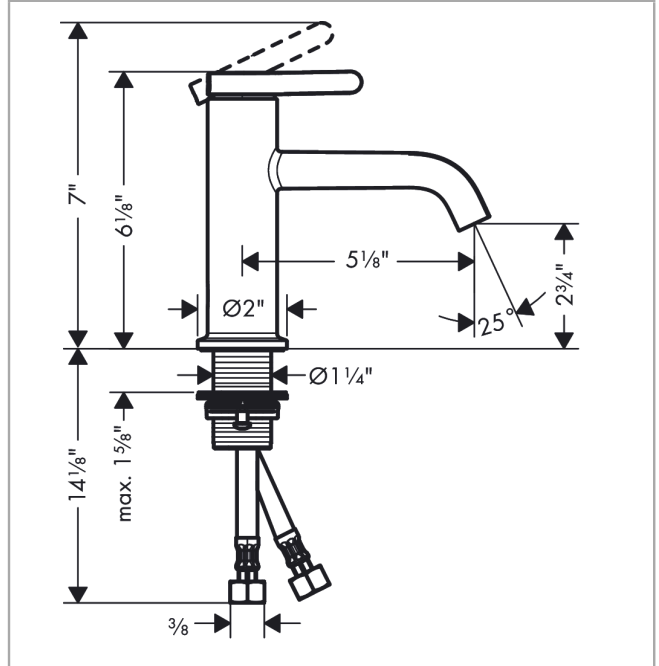
AXOR One
Single-Hole Faucet 70, 1.2 GPM, without Pop-up Drain
Finish: **Chrome** Part no. : **48001001**



Product image



Scale drawing

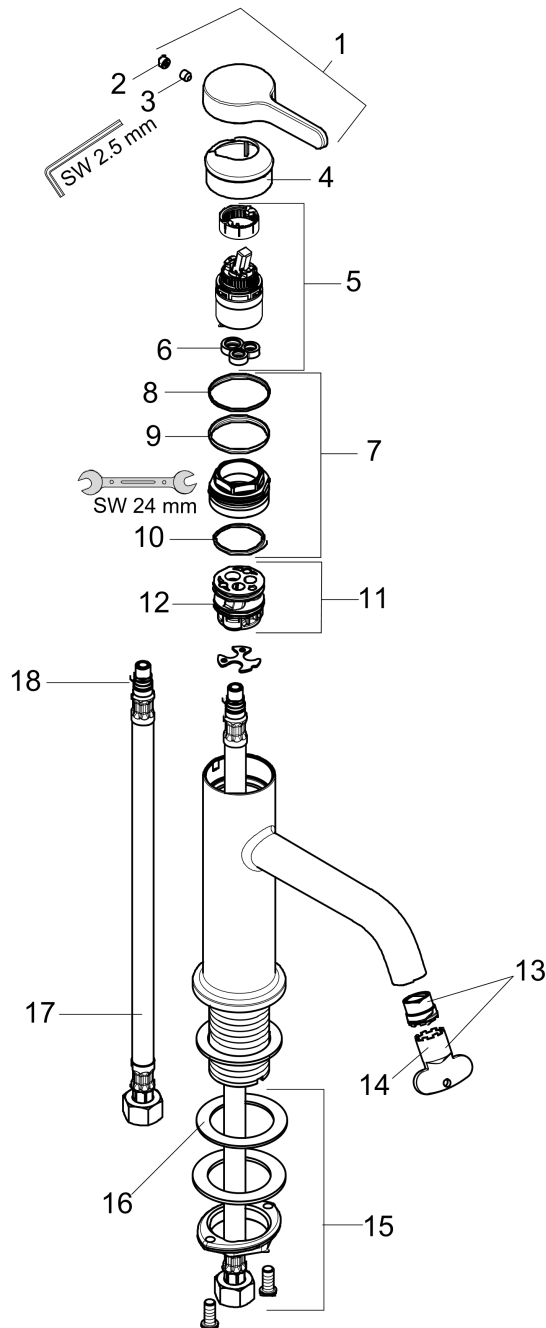


AXOR One
Single-Hole Faucet 70, 1.2 GPM, without Pop-up Drain
Finish: **Chrome** Part no. : **48001001**



Exploded drawing

Year of production: >08/21



AXOR One
Single-Hole Faucet 70, 1.2 GPM, without Pop-up Drain
 Finish: **Chrome** Part no. : **48001001**



Spare parts list

Year of production: >08/21

| Pos. | | Part no. | Price | PU |
|------|-----------------------------------|----------|-------|----|
| 1 | handle | 93968000 | - | 1 |
| 2 | screw cover | 94440460 | - | 1 |
| 3 | hollow set screw M5x5 | 98446000 | - | 1 |
| 4 | flange | 93737000 | - | 1 |
| 5 | cartridge, assy | 93760000 | - | 1 |
| 6 | seal | 93383000 | - | 1 |
| 7 | nut | 92926000 | - | 1 |
| 8 | O-ring 30x1,5 | 98433000 | - | 1 |
| 9 | O-ring 29x2 | 98391000 | - | 1 |
| 10 | O-ring 25x1,5 | 98146000 | - | 1 |
| 11 | adapter for cartridge | 98866000 | - | 1 |
| 12 | O-ring 23x2 | 98398000 | - | 1 |
| 13 | aerator M16,5x1 (4,5 l/min) | 92875000 | - | 1 |
| 14 | special tool | 98987000 | - | 1 |
| 15 | fixing set (Ø 32) | 13961000 | - | 1 |
| 16 | lever collar | 97548000 | - | 1 |
| 17 | connection hose 18½" M8x0,75 3/8" | 96321001 | - | 1 |
| 18 | O-ring 7x1,5 | 98422000 | - | 1 |