

TUB FILLER

Cat. No.
4613-MC-XX



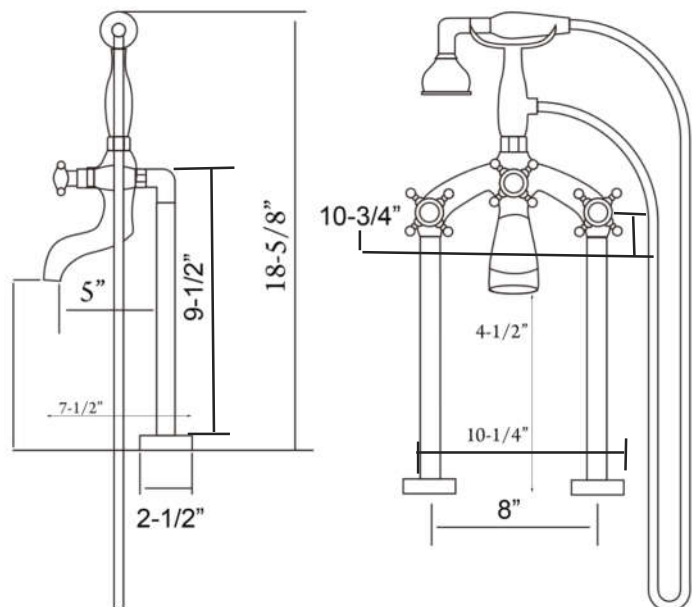
L: 7-1/2"
W: 10-3/4" (widest)
H: 18-5/8"

Features:

- ▶ Elephant spout, curved body
- ▶ Brass construction with zinc handle
- ▶ Deck mount installation
- ▶ Flow rate for spout is 7.4 GPM (45 PSI)
- ▶ Flow rate for hand shower is 0.83 GPM (45 PSI)
- ▶ 1/4" Turn brass cartridges with ceramic disc inside
- ▶ Metal cross handles with porcelain buttons
- ▶ Spout reach is 7-1/4"
- ▶ From edge of escutcheon to edge of spout 7-1/2"
- ▶ Available in 3 finishes
- ▶ 59" Stainless steel shower hose
- ▶ cUPC approved
- ▶ Porcelain handle, brass body
- ▶ Brass nipples come attached to couplers

Finishes:

CP Polished Chrome
BN Brushed Nickel
ORB Oil Rubbed Bronze



Dimensions are nominal and may vary. Dimensions and specifications subject to change without notice.