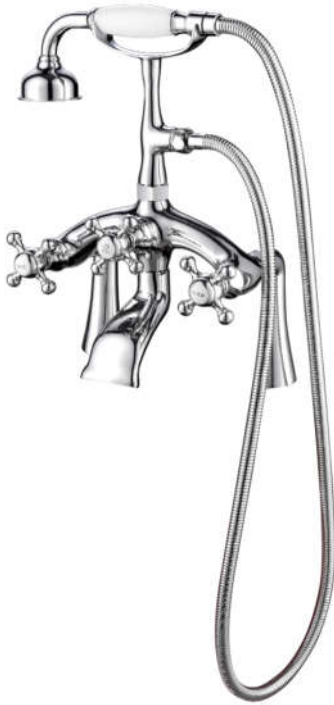


TUB FILLER

Cat. No.
4612-MC-XX



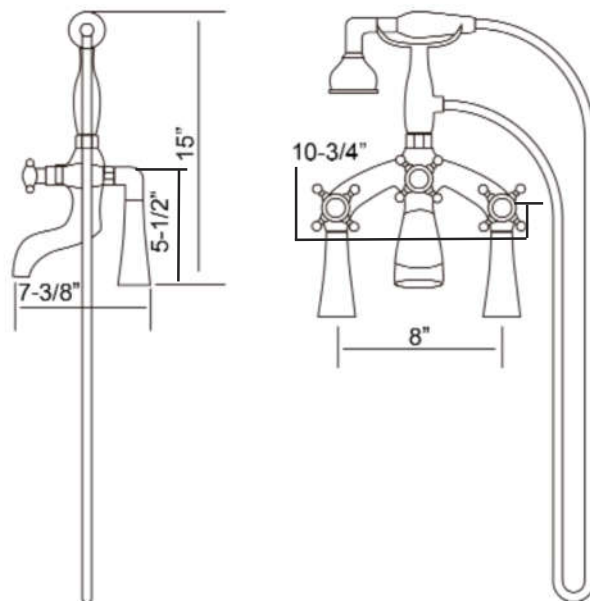
L: 10-³/₄"
W: 7-³/₈"
H: 15"

Features:

- ▶ Elephant spout, curved body
- ▶ Deck mount installation
- ▶ Flow rate for spout is 7.4 GPM (45 PSI)
- ▶ Flow rate for hand shower is 0.83 GPM (45 PSI)
- ▶ Brass construction with zinc handle
- ▶ 1/4" Turn brass cartridges with ceramic disc inside
- ▶ Metal cross handles with porcelain buttons
- ▶ Spout reach is 7-³/₈"
- ▶ Available in 3 finishes
- ▶ 59" Stainless steel shower hose
- ▶ cUPC approved
- ▶ Porcelain handle, brass body
- ▶ Couplers come with connecting nut

Finishes:

- CP** Polished Chrome
- BN** Brushed Nickel
- ORB** Oil Rubbed Bronze



Dimensions are nominal and may vary. Dimensions and specifications subject to change without notice.