

TUB FILLER

Cat. No.
4609-MC-XX



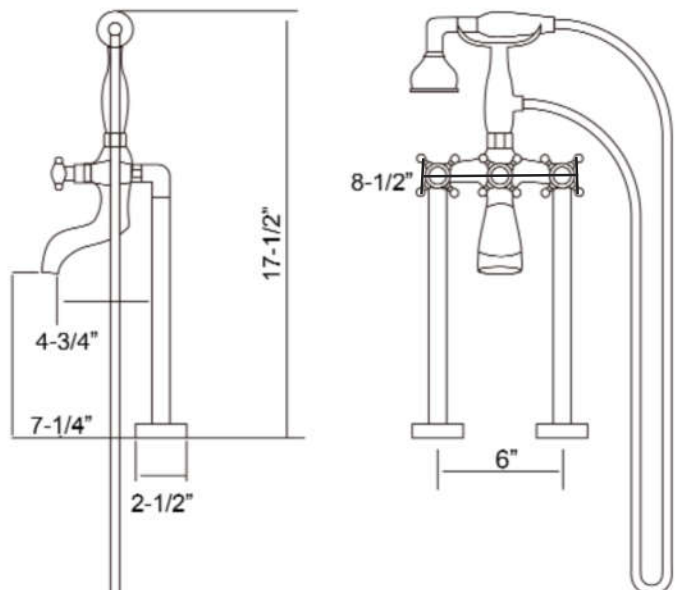
D: 7-1/4"
W: 8-1/2"
H: 17-1/2"

Features:

- ▶ Elephant spout, straight body
- ▶ Deck mount installation
- ▶ Flow rate for spout is 6.9 GPM (45 PSI)
- ▶ Flow rate for hand shower is 0.83 GPM (45 PSI)
- ▶ Brass construction with zinc handle
- ▶ 1/4" Turn brass cartridges with ceramic disc inside
- ▶ Metal cross handles with porcelain buttons
- ▶ Spout reach is 7-1/4"
- ▶ Available in 3 finishes
- ▶ 59" Stainless steel shower hose
- ▶ cUPC approved
- ▶ Porcelain handle and brass body
- ▶ Brass nipples come attached to couplers

Finishes:

CP Polished Chrome
BN Brushed Nickel
ORB Oil Rubbed Bronze



Dimensions are nominal and may vary. Dimensions and specifications subject to change without notice.