

FREESTANDING TUB FILLER

Cat. No.
4607-MC-XX



Features:

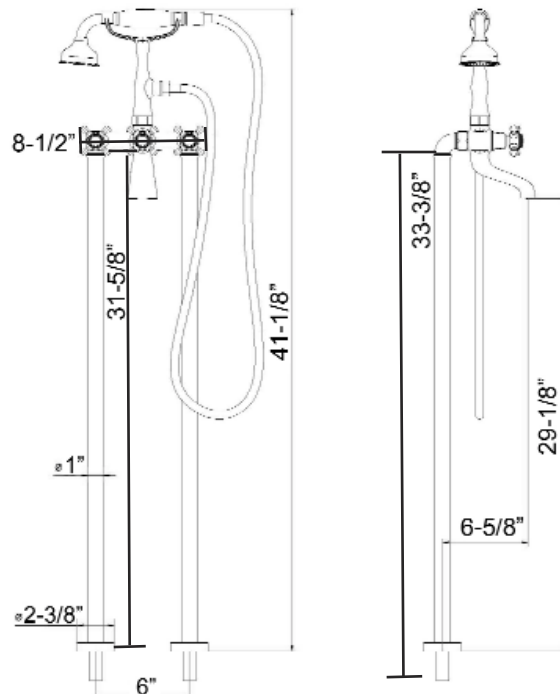
- ▶ Elephant spout, straight body
- ▶ Brass construction with zinc handle
- ▶ Flow rate for spout is 6.9 GPM (45 PSI)
- ▶ Rough-In plate included
- ▶ Flow rate for hand shower is 0.83 GPM (45 PSI)
- ▶ ¼" Turn brass cartridges with ceramic disc inside
- ▶ Metal cross handles with porcelain buttons
- ▶ Spout reach is 6-5/8"
- ▶ Flow rate for spout is 6.9 GPM
- ▶ Available in 3 finishes
- ▶ 59" Stainless steel shower hose
- ▶ cUPC approved
- ▶ Porcelain handle, brass body
- ▶ Supplies: Connection size: ½", male connection type, length 33-3/8"
- ▶ Threading measurement: 1-½"

Finishes:

- CP** Polished Chrome
- BN** Brushed Nickel
- ORB** Oil Rubbed Bronze



D: 6-5/8"
W: 8-1/2"
H: 41-1/8"



Dimensions are nominal and may vary. Dimensions and specifications subject to change without notice.