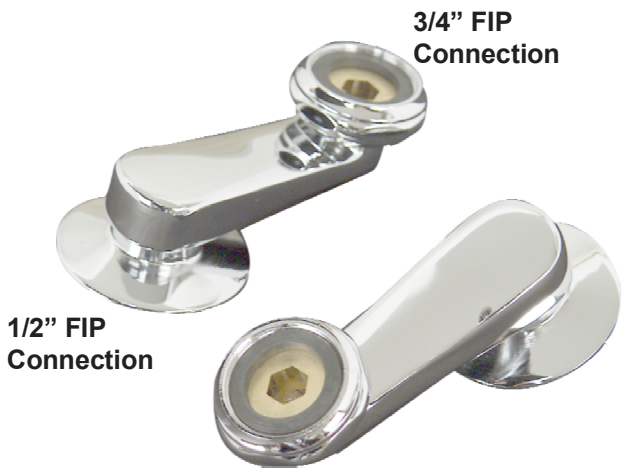


SWIVEL ARMS

Cat. No.
4501



L: 4-1/2"



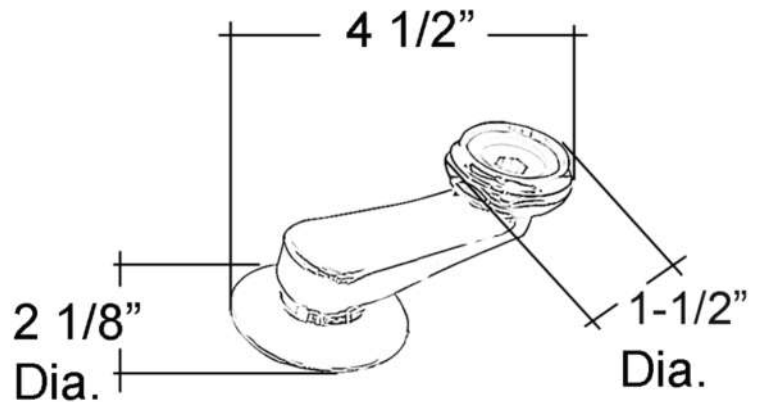
3/4" x 1/2" HARDWARE

Features:

- ▶ For use with faucets mounted to tub wall
- ▶ Sold in pairs
- ▶ 1/2" FIP x 3/4" FIP
- ▶ Available in 5 finishes
- ▶ Adjusts faucets with 3-3/8" Centers up to 9"
- ▶ Adjusts faucets with 7" Centers up to 12"
- ▶ 3/4" x 1/2" **HARDWARE** included

Finishes:

- CP** Polished Chrome
- BP** Polished Brass
- SN** Brushed Nickel
- PN** Polished Nickel
- ORB** Oil Rubbed Bronze
- MB** Matte Black



Dimensions are nominal and may vary. Dimensions and specifications subject to change without notice.