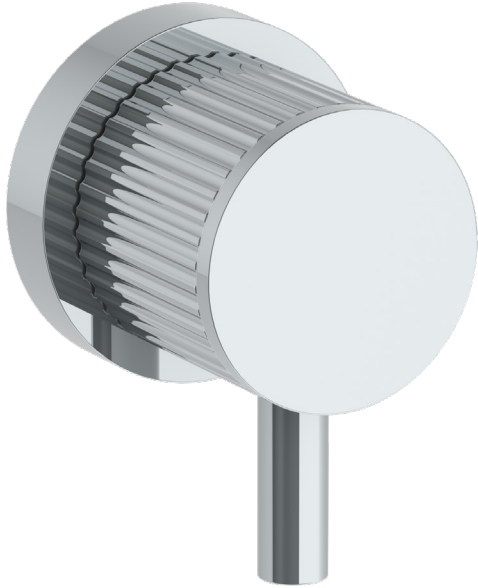


# WATERMARK

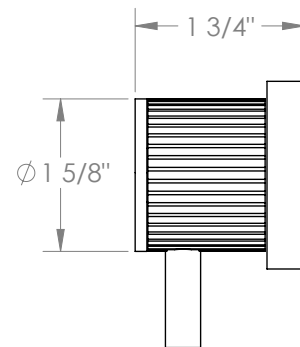
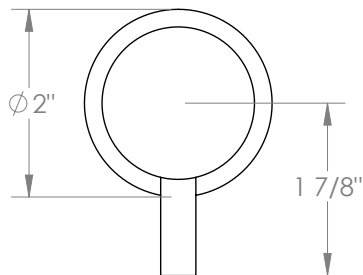
BROOKLYN, NEW YORK

## *Thea* 45-WTR-TA4 Wall Mounted Handle Trim



- Requires: SS-TS150-C, SS-TS150-H, SS-TS200-C, or SS-TS200-H for volume control
- Requires: SS-WD2, SS-WD2SH, SS-WD3, or SS-WD3SH for diverter
- Requires: SS-VCWD2 or SS-VCWD3 for volume control and diverter
- Solid brass construction
- Extension Kit: EXT20
- Professional installation recommended

Available in all finishes shown on the [Watermark Designs website](#)



Meets the applicable requirements of ASME A112.18.1/CSA B125.1, entitled "Plumbing Supply Fittings".

Watermark Designs reserves the right to make revisions without notice to product specifications. All product dimensions are nominal.

**Updated: 05/2025**

350 Dewitt Ave. Brooklyn, NY 11207 USA | T: 1 718 257 2800 | F: 1 718 257 2144 | [customerservice@watermark-designs.com](mailto:customerservice@watermark-designs.com)