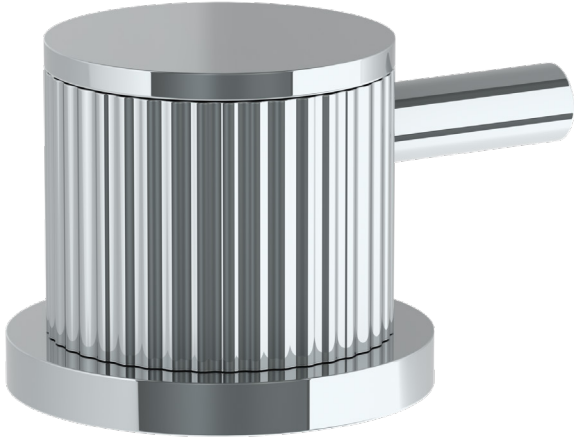


WATERMARK

BROOKLYN, NEW YORK

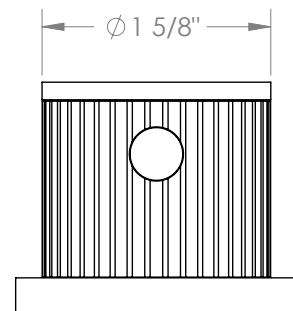
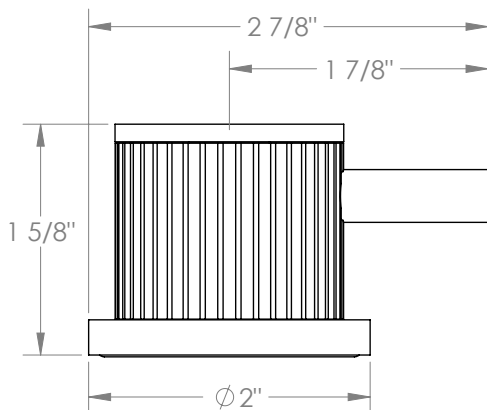
Thea 45-DT-TA4

Deck Mounted Handle Trim



- Requires: SS-508-H/C Roman Tub Valve or SS-DD4 Deck Diverter Valve
- Solid brass construction
- Professional installation recommended

Available in all finishes shown on the [Watermark Designs website](#)



Meets the applicable requirements of ASME A112.18.1/CSA B125.1, entitled "Plumbing Supply Fittings".

Watermark Designs reserves the right to make revisions without notice to product specifications. All product dimensions are nominal.

Updated: 05/2025

350 Dewitt Ave. Brooklyn, NY 11207 USA | T: 1 718 257 2800 | F: 1 718 257 2144 | customerservice@watermark-designs.com