

WATERMARK

BROOKLYN, NEW YORK

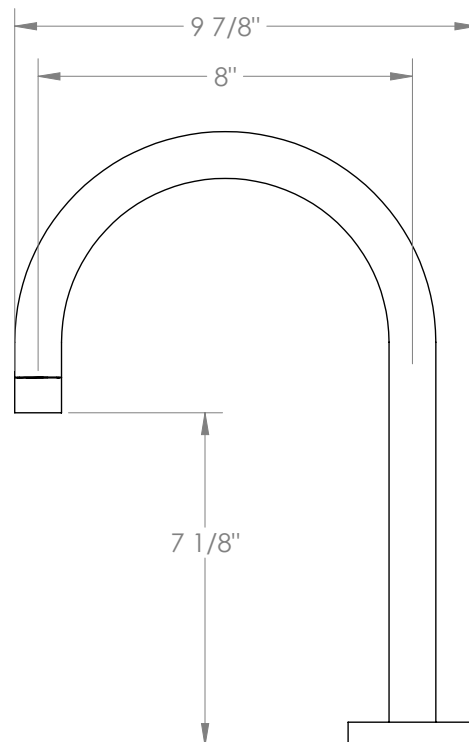
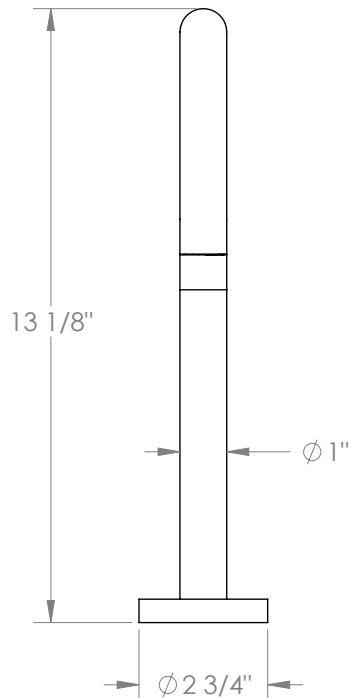


Thea 45-DSG

Deck Mounted Gooseneck Bath Spout

- Flow Rate: Full Flow
- Solid brass construction
- Some building codes require upstream installation of tempering valve conforming to ASSE 1070
- Professional Installation Required

Available in all finishes shown on the [Watermark Designs website](#)



Meets the applicable requirements of ASME A112.18.1/CSA B125.1, entitled "Plumbing Supply Fittings".

Watermark Designs reserves the right to make revisions without notice to product specifications. All product dimensions are nominal.

Updated: 07/2025

350 Dewitt Ave. Brooklyn, NY 11207 USA | T: 1 718 257 2800 | F: 1 718 257 2144 | customerservice@watermark-designs.com