

WATERMARK

BROOKLYN, NEW YORK



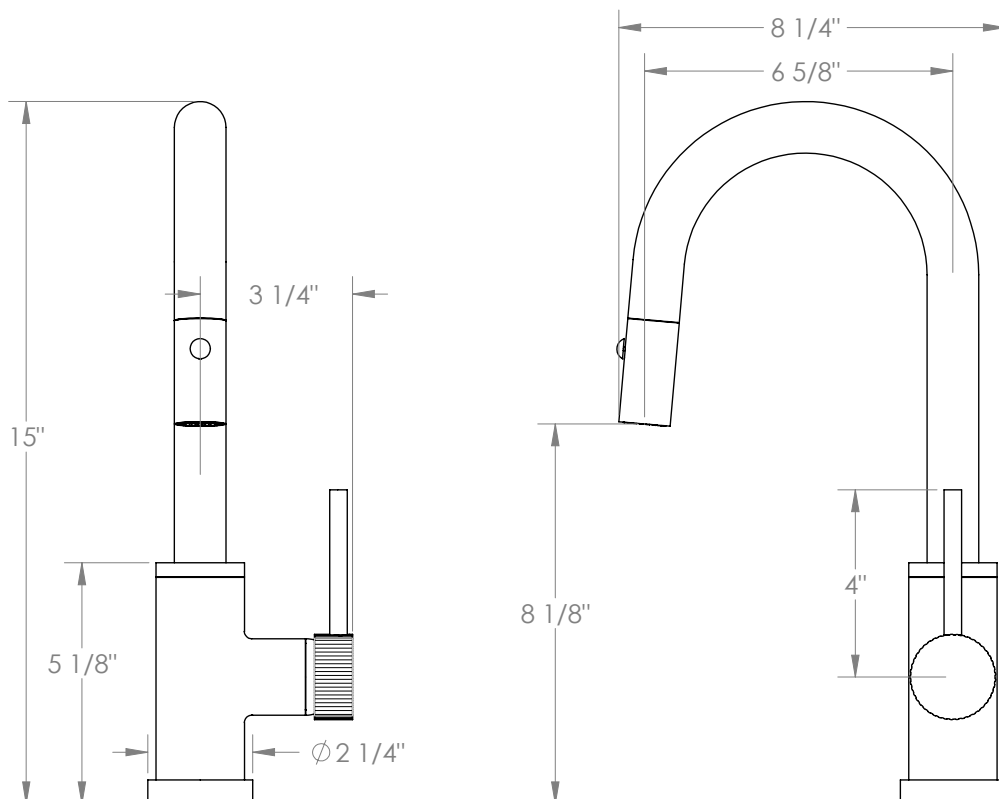
Available in all finishes shown on the [Watermark Designs website](#)

Thea

45-9.3PG2-TA4

Deck Mounted Single Hole Pulldown Prep Faucet

- Flow Rate: 1.75 GPM Max @ 45-80 PSI
- Recommended Hole Size: 1 3/8"
- Maximum Deck Thickness: 1 1/2"
- Lead-free brass construction with Kerox mixer cartridge
- Includes flex hoses for connecting to hot & cold supplies
- 360° swivel spout with magnetic docking for sprayhead
- Button toggles between aerated and spray modes
- Spray hose with ball-joint provides smooth operation and 16" of reach
- Professional installation recommended



Meets the applicable requirements of ASME A112.18.1/CSA B125.1, entitled "Plumbing Supply Fittings".

Watermark Designs reserves the right to make revisions without notice to product specifications. All product dimensions are nominal.

Updated: 07/2025

350 Dewitt Ave. Brooklyn, NY 11207 USA | T: 1 718 257 2800 | F: 1 718 257 2144 | customerservice@watermark-designs.com