

WATERMARK

BROOKLYN, NEW YORK

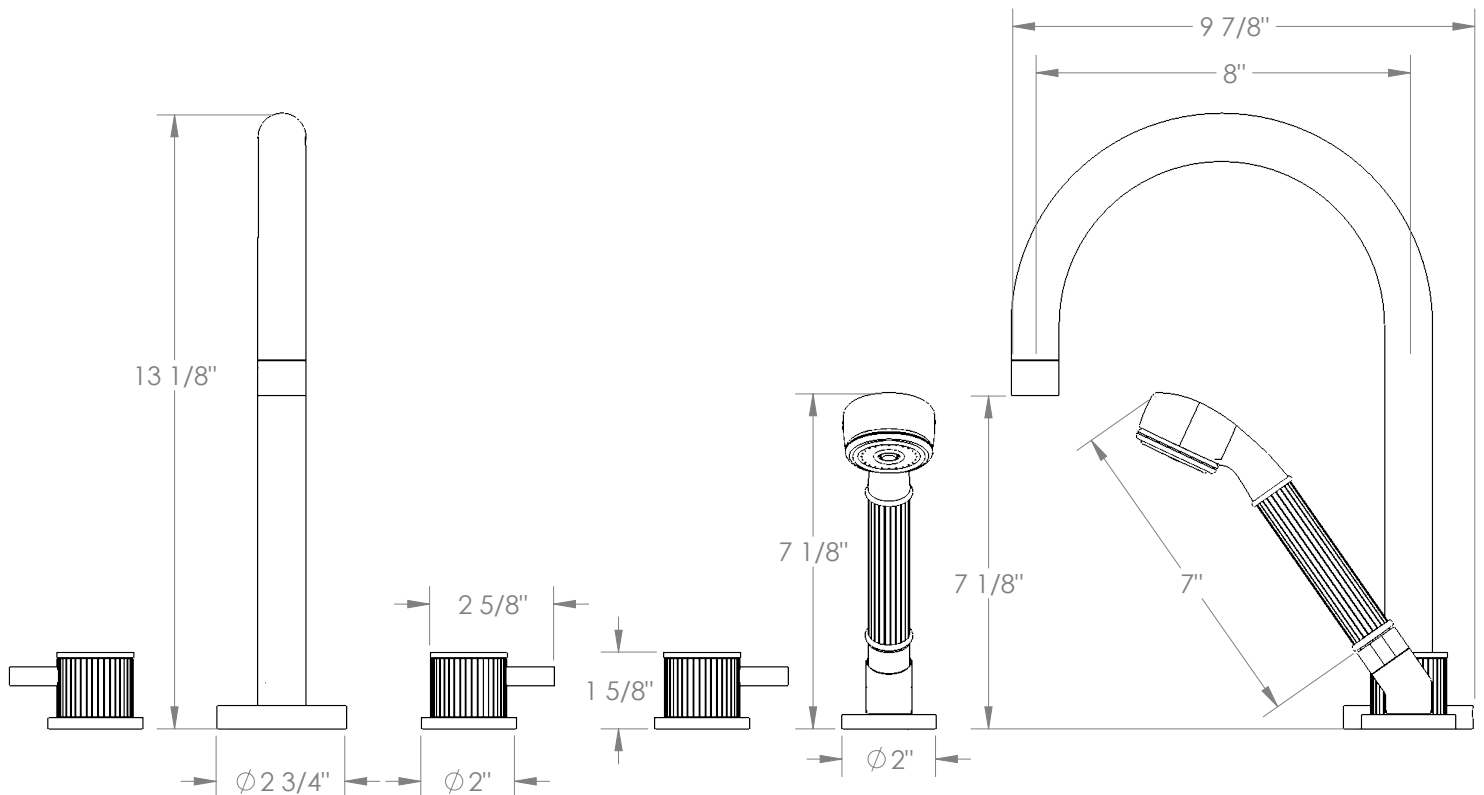
Thea 45-8.1GR-TA4

Deck Mounted Five Hole Gooseneck Bath Set



- Tub Spout Flow Rate: Full Flow
- Hand Shower Flow Rate: 1.75 GPM Max @ 45-80 PSI
- Solid brass construction with Fluehs half-turn ceramic disc valves
- Includes 3/4" hot and cold valves, diverter valve, and quick-connect nipple for tub spout
- Includes hand shower, deck base, and 69" handshower hose
- Recommended Hole Size: 1 3/8"
- Maximum Deck Thickness: 1 3/4"
- Some building codes require upstream installation of tempering valve conforming to ASSE 1070
- Access panel should be installed for future servicing
- Professional Installation Required

Available in all finishes shown on the [Watermark Designs website](#)



Meets the applicable requirements of ASME A112.18.1/CSA B125.1, entitled "Plumbing Supply Fittings".

Watermark Designs reserves the right to make revisions without notice to product specifications. All product dimensions are nominal.

Updated: 07/2025

350 Dewitt Ave. Brooklyn, NY 11207 USA | T: 1 718 257 2800 | F: 1 718 257 2144 | customerservice@watermark-designs.com