

WATERMARK

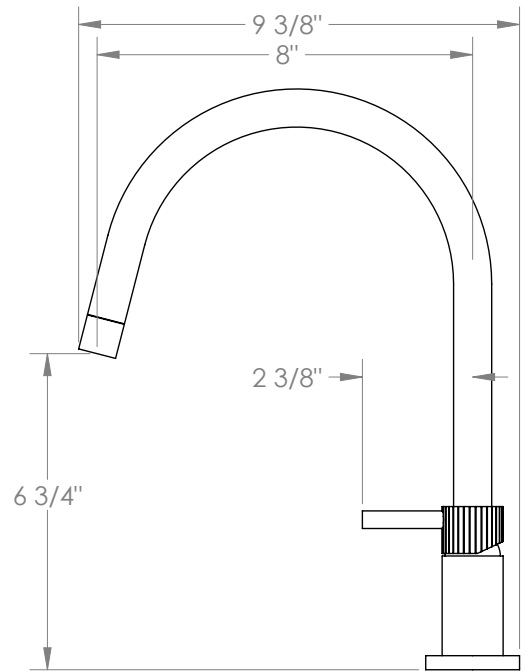
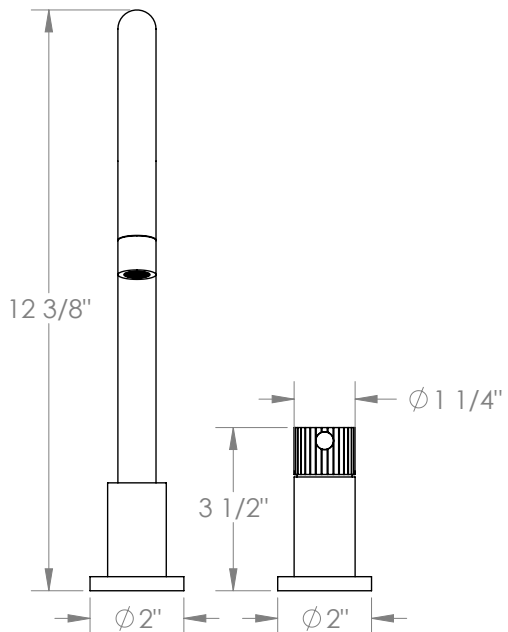
BROOKLYN, NEW YORK



Thea 45-7.1.3G-TA4V Deck Mounted Two Hole Kitchen Faucet with Gooseneck Spout

- Flow Rate: 1.75 GPM Max @ 45-80 PSI
- Recommended Hole Size: 1 3/8"
- Maximum Deck Thickness: 1"
- Lead-free brass construction with Fluehs mixer cartridge
- Includes flexible supply hoses for connecting valve to spout and valve to supplies
- 360° swivel spout
- Professional installation recommended

Available in all finishes shown on the [Watermark Designs website](#)



Meets the applicable requirements of ASME A112.18.1/CSA B125.1, entitled "Plumbing Supply Fittings".

Watermark Designs reserves the right to make revisions without notice to product specifications. All product dimensions are nominal.

Updated: 05/2025

350 Dewitt Ave. Brooklyn, NY 11207 USA | T: 1 718 257 2800 | F: 1 718 257 2144 | customerservice@watermark-designs.com