

# WATERMARK

BROOKLYN, NEW YORK

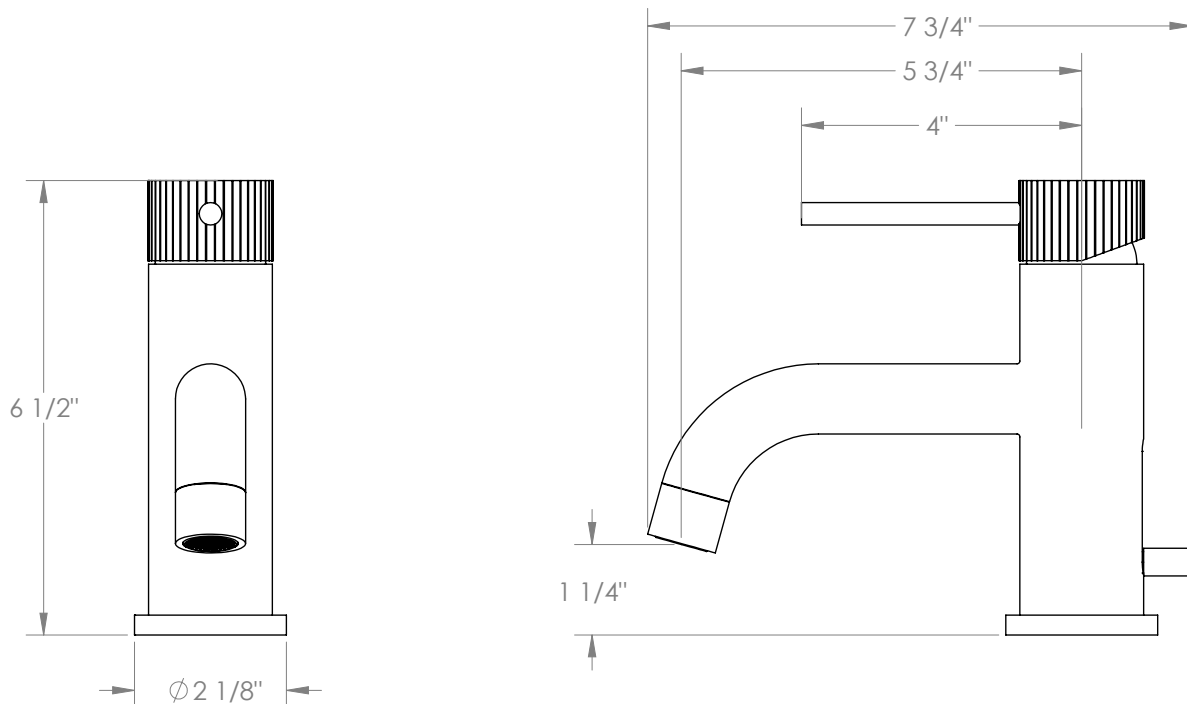


## Thea 45-1.15-TA4

Deck Mounted Monoblock Lavatory Mixer

- Flow Rate: 1.2 GPM Max @ 45-80 PSI
- Includes MPU7 Pop Up Drain
- Recommended Hole Size: 1 3/8"
- Lead-free brass construction with Kerox ceramic disc mixer cartridge
- Professional installation recommended

Available in all finishes shown on the [Watermark Designs website](#)



Meets the applicable requirements of ASME A112.18.1/CSA B125.1, entitled "Plumbing Supply Fittings".

Watermark Designs reserves the right to make revisions without notice to product specifications. All product dimensions are nominal.

Updated: 07/2025

350 Dewitt Ave. Brooklyn, NY 11207 USA | T: 1 718 257 2800 | F: 1 718 257 2144 | [customerservice@watermark-designs.com](mailto:customerservice@watermark-designs.com)