

SPECIFICATIONS

DESCRIPTION

- 3 positions (OFF, 1, 2) no share
- R23, R23-SPEX or R23-EX rough required to complete
- Thermostatic / pressure balance coaxial cartridge with check valves
- Trim only

FLOW

- 24 L/min, 6.3 gpm (US) 60psi
- Type TP - For use with shower heads rated at 7L/min (1.8 gpm) or higher

STANDARDS

- CSA B125.1/ ASME A112.18.1
- ASSE 1016
- ADA

WARRANTY

- Most products or parts carry "Limited Warranties" against manufacturing defects. For US customers please visit houseofrohl.com/support and for Canadian customers please visit houseofrohl.ca/support for complete product and finish warranty.

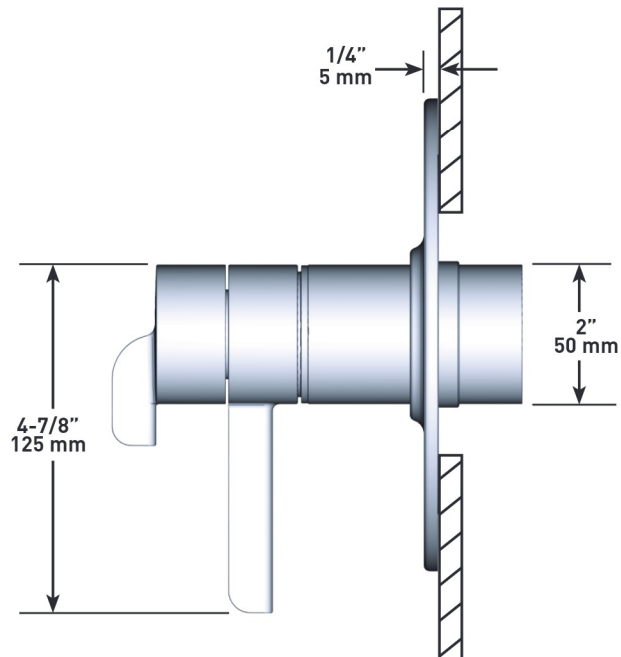
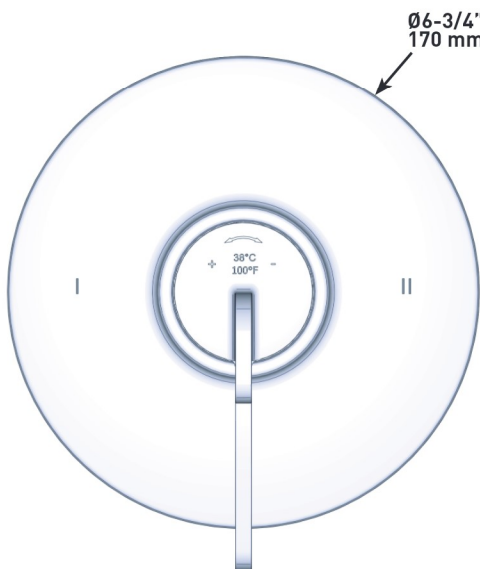


AUTHENTICA

2-way no share

Type T/P (thermostatic/pressure balance) coaxial valve trim

MODELS: TAU44 SERIES



For warranty or additional information, contact:

U.S.A.
houseofrohl.com/support
 1-800-777-9762

QUEBEC / MARITIMES / WESTERN CANADA
 QUÉBEC / MARITIMES / OUEST CANADIEN
 QUEBEC / MARITIMOS / CANADA OCCIDENTAL
houseofrohl.ca/support
 1-866-473-8442

ONTARIO
houseofrohl.ca/support
 1-800-287-5354