

CALI WALL-HUNG BASIN

CAT. NO
4-913X



Faucet not included

W: 24-7/8"
D: 19-3/4"
H: 9-7/8"

Features:

- ▶ Made of Vitreous China
- ▶ Available pre-drilled for single hole (4-9131), 4" center set (4-9134), or 8" widespread faucet (4-9138)
- ▶ Pre-drilled overflow holes
- ▶ Mounting hardware included
- ▶ cUPC approved
- ▶ Glazed sink
- ▶ Lip size: 1-5/8" H x 7-1/2" D x 22-3/8" L
- ▶ Deck size: 3-3/4" W x 22-3/8" L



Mounting hardware



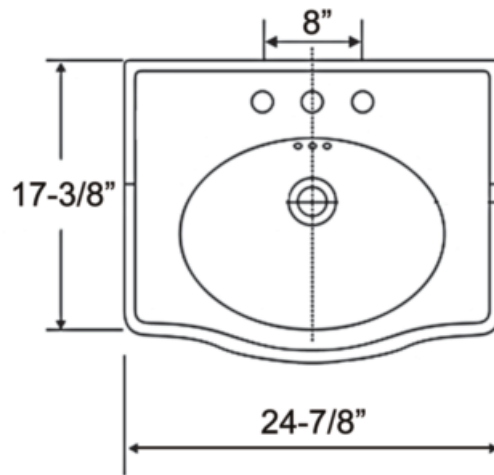
Meets or exceeds the following specifications: ASME A112.19.2 2018 and CSA B45.1-18 for ceramic plumbing fixtures.

Colors:

WH White

Interior Dimensions:

Basin interior:	17" x 12"
Basin depth:	5-7/8"
Water depth to overflow :	5-1/4"
Back of basin to center of drain:	7-1/2"
Back of basin to center of faucet:	1-3/4"
Drain:	1-7/8"
Faucet hole diameter:	1-3/8"
Mount holes cc:	7-3/8"
Backsplash to start of faucet hole:	1"
End of faucet hole to start of bowl:	1-3/8"



Dimensions of fixture are nominal and may vary within the range of tolerances established by ASME Standard A112.19.2. Dimensions and specifications subject to change without notice.