

OPULENCE "His" 31 In ABOVE COUNTER BASIN

Cat. No
4-360, 369



Faucet not included

Top: 31-1/2" W x 19-3/8"D
Base: 26"W x 16-1/2"D

H: 4-3/4"

Interior Dimensions:

Basin Interior:	18-1/2" x 12"
Basin Depth:	4-1/2"
Water depth to overflow:	3-7/8"
Back of basin to center of faucet:	3"
Back of basin to center of drain:	9"
Mount holes cc:	11"
Faucet and spout holes:	1-1/4"

Features:

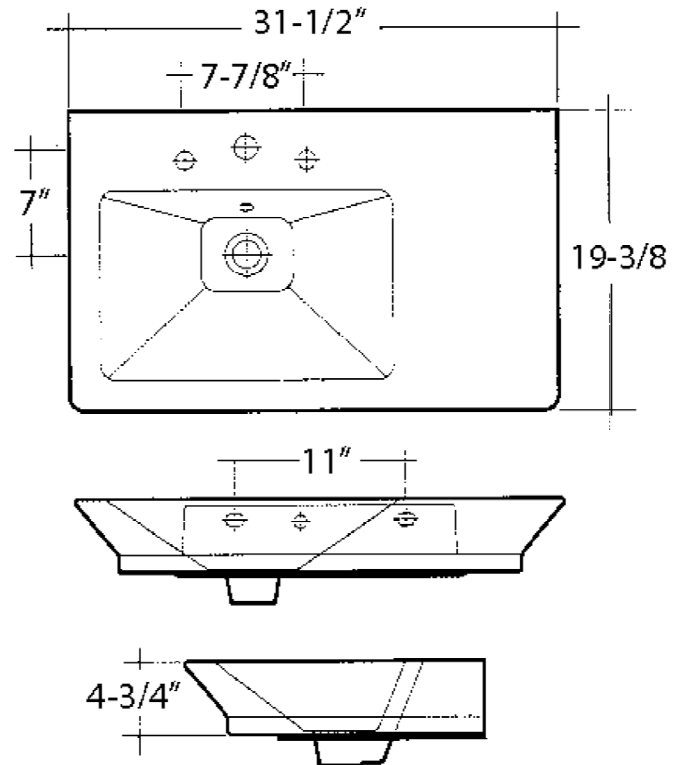
- ▶ Fine fire clay construction
- ▶ Pre-drilled overflow hole
- ▶ Trapezoidal shape
- ▶ Rectangular basin
- ▶ Back of basin is unfinished
- ▶ Available pre-drilled for 1-hole faucet (**4-360**), 4" centerset (**4-359**), and 8" widespread (**4-369**)

Colors:

WH White

Compliance Certification

Meets or exceeds the following specifications: ASME A112.19.2 2018 and CSA B45.1-18 for ceramic plumbing fixtures.



Dimensions of fixture are nominal and may vary within the range of tolerances established by ASME Standard A112.19.2.2018. Dimensions and specifications subject to change without notice.