

SILVI WALL HUNG BASIN

Cat. No.
4-304X



Faucet not included

W: 19-³/₄"
D: 16-³/₄"
H: 8-⁷/₈"

Features:

- ▶ Wall hung basin
- ▶ Made of vitreous china
- ▶ Mounting hardware included
- ▶ Available pre-drilled for single hole (**4-3041**), 4" center set (**4-3044**), or 6" mini widespread (**4-3046**)
- ▶ Pre-drilled overflow
- ▶ IAPMO certified
- ▶ Glazed sink
- ▶ Lip size: 1-¹/₂" H x 13" D x 14-¹/₈" L
- ▶ Deck size: 3-⁵/₈" W x 14-¹/₈" L



Mounting hardware

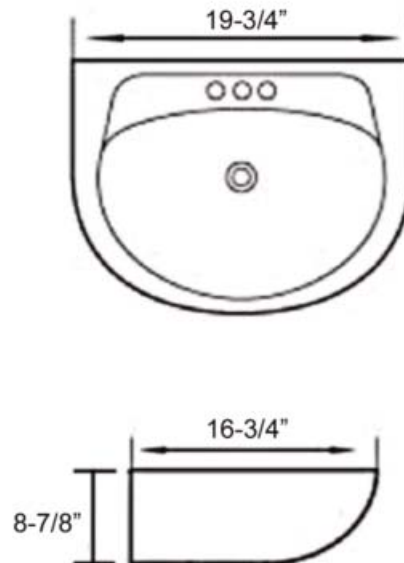
Colors:

White

Compliance Certification
 Meets or exceeds the following specifications: ASME 12.19.2.2018 for vitreous china fixtures.

Interior Dimensions:

Basin Interior:	15- ³ / ₈ " x 10- ¹ / ₈ "
Basin Depth:	7- ³ / ₈ "
Water depth to overflow:	4- ¹ / ₈ "
Mount holes cc:	7- ¹ / ₂ "
Faucet hole diameter:	1- ³ / ₈ "
Drain hole:	1- ³ / ₄ "
Back of basin to center of faucet:	2- ³ / ₈ "
Back of basin to center of drain:	8- ³ / ₈ "
Backsplash to start of faucet hole:	¹ / ₂ "
End of faucet hole to start of bowl:	1- ³ / ₄ "



Dimensions of fixture are nominal and may vary within the range of tolerances established by ASME Standard A112.19.2.2018. Dimensions and specifications subject to change without notice. Do not make cuts until receiving the product.