

# ILLUSION 600 WALL-HUNG BASIN

CAT. NO  
4-1731WH



Faucet not included



Mounting hardware

W: 23-3/4"  
D: 17-3/8"  
H: 6-7/8"

## Interior Dimensions:

Basin interior:	20-1/2" x 12"
Basin depth:	4-7/8"
Faucet hole:	1-1/2"
Back of basin to center of faucet:	2-3/8"
Back of basin to center of drain:	8-1/4"
Mount holes cc:	8"
Water depth to overflow:	2-1/2"
Drain hole:	2"

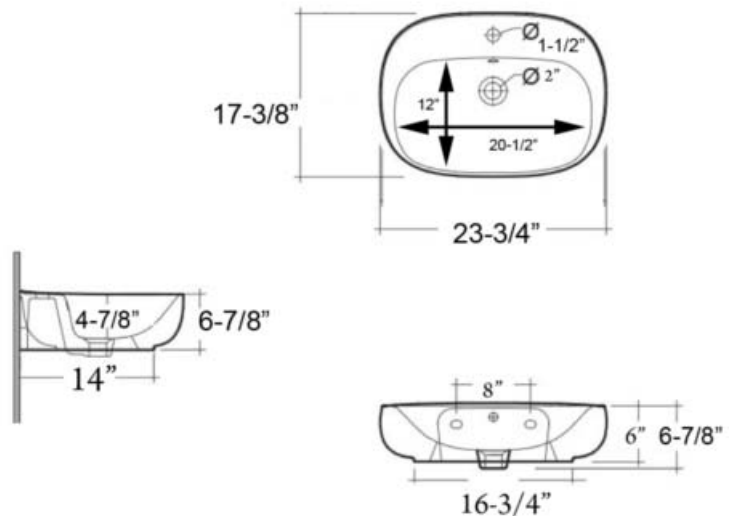
## Features:

- ▶ Made of Vitreous China
- ▶ Available for 1 hole (4-1731WH) and 4" center set (4-1734WH)
- ▶ Overflow
- ▶ Mounting hardware included

## Colors:

WH White

Meets or exceeds the following specifications: ASME A112.19.2 2018 and CSA B45.1-18 for ceramic plumbing fixtures.



Dimensions of fixture are nominal and may vary within the range of tolerances established by ASME Standard A112.19.2. Dimensions and specifications subject to change without notice.