

DES 1010 WALL-HUNG BASIN

Cat. No.
4-162XWH



Faucet not included



Mounting hardware

W: 39-5/8" top, 40" bottom
D: 17-3/4" top, 18" bottom
H: 5-3/4"

***Please do NOT drill hole without
template or actual product.**

Interior Dimensions:

Basin interior:	18-1/4" x 12"
Basin depth:	4"
Mount holes cc:	30"
Back of Basin to Center of Faucet:	2-1/8"
Back of Basin to Center of Drain:	8-1/2"
Faucet hole diameter:	1-1/4"
Water depth to overflow:	2"

Features:

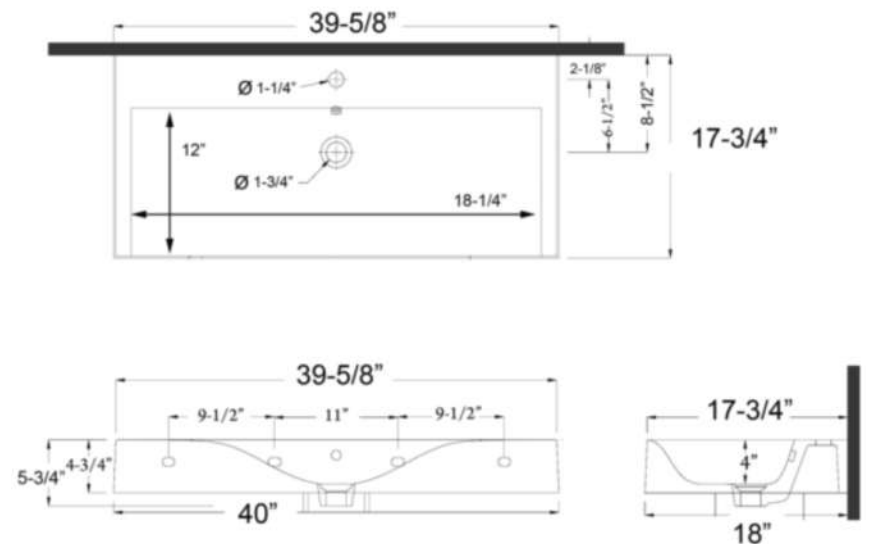
- ▶ Fine Fire Clay construction for durability
- ▶ Chip and stain resistant
- ▶ RAK logo
- ▶ Pre-drilled overflow
- ▶ Available with no holes (**4-1620WH**), 1 faucet hole (**4-1621WH**), 4" centerset (**4-1624WH**), and 8" widespread (**4-1628WH**)
- ▶ Mounting hardware included
- ▶ For ease installation order hangers (2 pairs) or bracket (two)

Colors:

WH White

Compliance Certification

- Meets or exceeds the following specifications: ASME A112.19.2 2018 and CSA B45.1-18 for Fire Clay ceramic plumbing fixtures.



Dimensions of fixture are nominal and may vary within the range of tolerances established by ANSI Standard A112.19.2.2018 Dimensions and specifications subject to change without notice.